

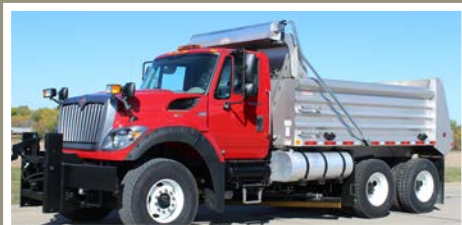


2018



SPEC YOUR ARM TARP SYSTEM SEE PAGES 3-4

DUMP TRUCK ARM TARP SYSTEMS SEE PAGES 5-10



Polished Aluminum Dump Truck Systems Pg 5-6



Galvanized Steel Dump Truck Systems Pg 7-8



Bulletproof Aluminum Dump Truck Systems Pg 9-10

DUMP TRAILER ARM TARP SYSTEMS SEE PAGES 11-16



Polished Aluminum Dump Trailer Systems Pg 11-12



Galvanized Steel Dump Trailer Systems Pg 13-14



Bulletproof Aluminum Dump Trailer Systems Pg 15-16

REPLACEMENT PARTS FOR ARM SYSTEMS SEE PAGES 17-22



Electric Tarp Motors Pg 17



Electrical Components Pg 18

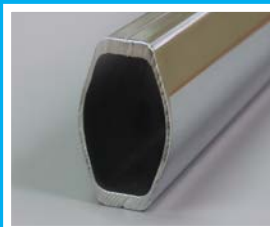


Arm Kits & Misc Components Pg 18

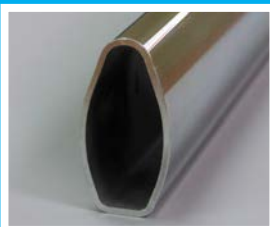


Arm System Part Exploded Views Pg 19-22

ONE STOP SHOP ARM SYSTEM PARTS SEE PAGES 23-32



Replacement Parts for Roll-Rite® Pg 23-24



Replacement Parts for Donovan® Pg 25-26



Replacement Parts for Mountain Tarp Pg 27-28



Replacement Parts for Aero Ind.® Pg 29-30



MASTER CROSS REFERENCE PG 31-32

All Manufacturers' names, numbers, symbols, and descriptions are used for reference purposes only, and it does not imply that any part listed is the product of these manufactures.

SPECIALTY TRAILER TARP SYSTEMS AND PARTS

SEE PAGES 33-42



Cable Tarp Systems and Parts
Pg 33-36



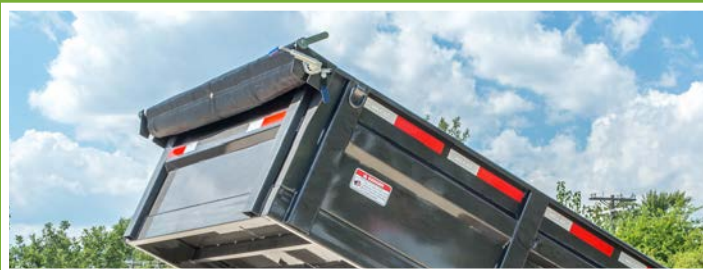
Agriculture Tarp Systems and Parts
Pg 37-40



Side Dump Tarp Systems and Parts
Pg 41-42

LIGHT DUTY AND LANDSCAPE TARP SYSTEMS AND PARTS

SEE PAGES 43-46



Cab Level Crank Systems and Parts
Pg 43-44



Pull Style Spring Return Systems and Parts
Pg 45-46

WASTE AND REFUSE TARP SYSTEMS AND PARTS

SEE PAGES 47-52



Armless Gantry Systems
Pg 47-50



Gantry Systems with Arms
Pg 47-50



Premium Single Stage Gantry Systems
Pg 48-50



Rack & Pinion Parts and Tarps
Pg 51-52

UNIVERSAL REPLACEMENT TARPS



Arm & Armless Tarps
Pg 53-54



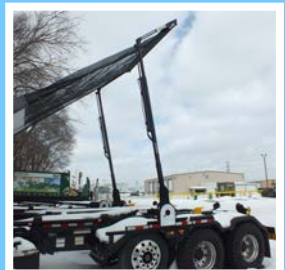
Cable System Tarps
Pg 34



Agriculture System Tarps
Pg 38



Side Dump System Tarps
Pg 41



Refuse or Rack & Pinion Tarps
Pg 51-52

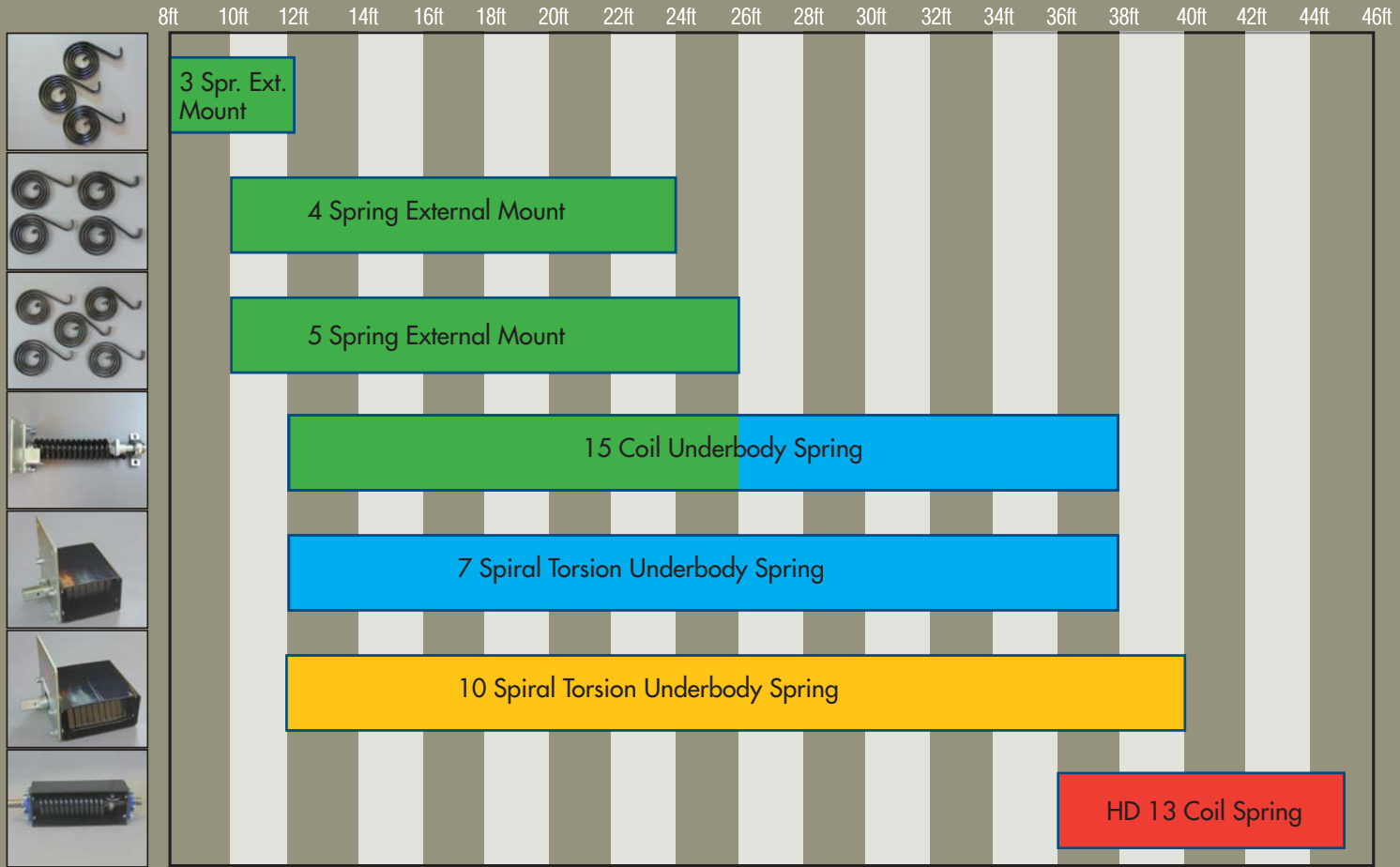
Tarp System Accessory Packages:

Tarp Motor 	Axle 	Springs 	Standard Duty <ul style="list-style-type: none"> Includes Bulletproof Slim 50:1 Tarp Motor & Hollow Tarp Axle with End Caps. Dump Truck upgrades for this kit are available on the bottom of each system page. Dump Trailer upgrades to Heavy Duty add -HDS at the end of the part number. Dump Trailer Upgrades to Heavy Duty Plus add -HDP at the end of the part number.
Tarp Motor 	Axle 	Springs 	Heavy Duty <ul style="list-style-type: none"> Includes Bulletproof 60:1 Tarp Motor, 15 Coil Underbody Springs, and Heavy Duty Aluminum Tarp Axle. Dump Trailer Upgrades to Heavy Duty Plus add -HDP at the end of the part number. Extreme Duty Kits available from 36' to 45' on page 16.
Tarp Motor 	Axle 	Springs 	Heavy Duty Plus <ul style="list-style-type: none"> Includes Bulletproof 90:1 Tarp Motor, 10 Spiral Spring Underbody Mounts, and Heavy Duty Aluminum Tarp Axle. Extreme Duty Kits available from 36' to 45' on page 16.
Tarp Motor 	Axle 	Springs 	Extreme Duty <ul style="list-style-type: none"> Includes Bulletproof HD 90:1 Tarp Motor, 13 Coil Extreme Duty Underbody Springs, and Heavy Duty Aluminum Tarp Axle. Extreme Duty Kits available from 36' to 45' on page 16. Powerhouse Heavy Duty Motor.

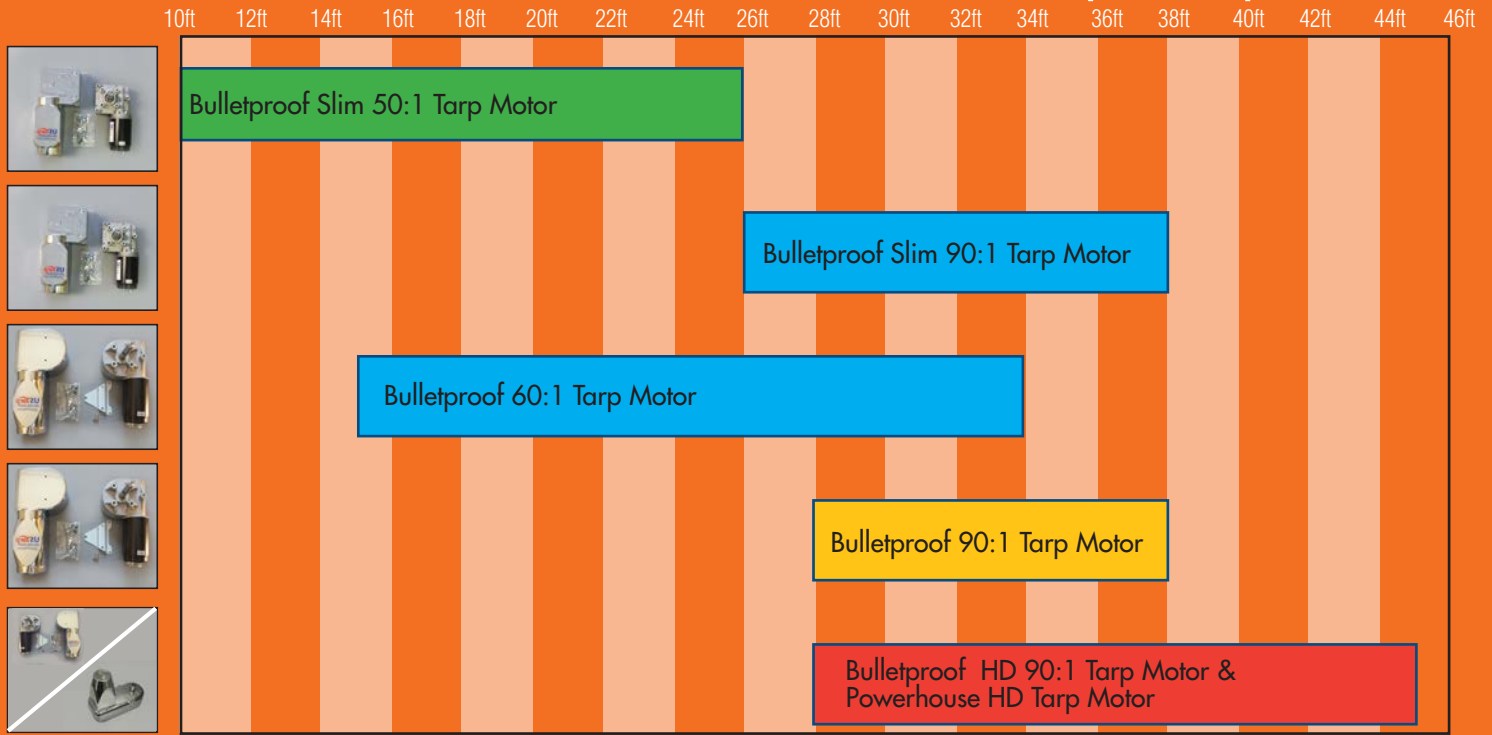
Tarp Arm Specification

	10ft	12ft	14ft	16ft	18ft	20ft	22ft	24ft	26ft	28ft	30ft	32ft	34ft	36ft	38ft	40ft	42ft	44ft	46ft	
<p>Polished Aluminum</p>	3 Sp Ex Mt	4 Spring External Mount				5 Sp Ex Mt														
	84" Underbody (UB) Mount Spring								96" UB	144" Underbody (UB) Mount Spring				192" UB						
<p>Galvanized Steel</p>			4 Spring External Mount				5 Sp Ex Mt													
	63" Underbody (UB) Mount Spring								84" UB	126" Underbody (UB) Mount Spring										
<p>Bulletproof Aluminum</p>			4 & 5 Spring External Mount																	
	168" Underbody (UB) Mount Spring								192" UB	210" UB	240" UB									
<p>Bulletproof HD</p>																				288" Extreme Duty UB

Tarp Spring Specification

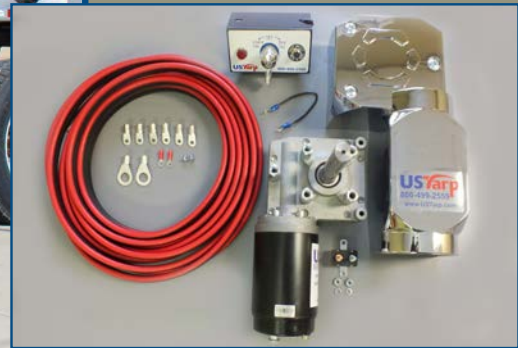


Tarp Motor Specification



*All tarp motors can operate on less length than recommended, but they will operate slower than the recommended tarp motor.

US Tarp® Polished Aluminum External Mount



OPTIONS

Single Box System Packaging w/
Lower Arms Assembled Part # 1BOX

Stainless Steel Hardware
Add -SS to any system



FEATURES:

- Telescopic Arms to fit a wide range of body lengths.
- Polished aluminum arm finish
- Trailer Systems available with these arms on pages 11 & 12.
- Parts for this system can be found on pages 17, 18, 19, & 22.

Tension Bow
Part # 7671

Tension Hoop
Part # 12372

30° & 45° Elbow Kit
Part # 11301 & 11302

Rubber Centering Flanges
Add -CEN suffix to
any system

Powerhouse Heavy Duty
Tarp Motor Upgrade
Add -PH to system part #

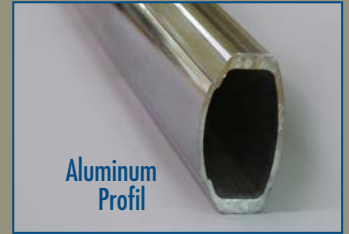


FITS DUMP BODIES 12' OR LESS IN LENGTH

Aluminum 3-Spring External Mount System, Standard Duty Kit, see page 3

Total System Cost With...

11422	97" Wide Wind Deflector
11423	103" Wide Wind Deflector
14998	102" Wide Smooth Wind Deflector
14999	Open Top Aluminum Housing Up to 102" Wide
11428	92" Wide Aluminum Housing
11429	98" Wide Aluminum Housing
11430	104" Wide Aluminum Housing



Aluminum Profil

Base System

without wind deflector or housing
Part # 11417

FITS DUMP BODIES 12' - 24' IN LENGTH

Aluminum 4-Spring External Mount System, Standard Duty Kit, see page 3

Total System Cost With...

11530	97" Wide Wind Deflector
11531	103" Wide Wind Deflector
15000	102" Wide Smooth Wind Deflector
15001	Open Top Aluminum Housing Up to 102" Wide
11532	92" Wide Aluminum Housing
11533	98" Wide Aluminum Housing
11534	104" Wide Aluminum Housing

For 12' – 20' Openings add -20 to end of Part Number

Base System

without wind deflector or housing
Part # 11529

FITS DUMP BODIES UP TO 26' IN LENGTH

Aluminum 5-Spring External Mount System, Standard Duty Kit, see page 3

Total System Cost With...

11426	97" Wide Wind Deflector
11427	103" Wide Wind Deflector
15002	102" Wide Smooth Wind Deflector
15003	Open Top Aluminum Housing Up to 102" Wide
11434	92" Wide Aluminum Housing
11435	98" Wide Aluminum Housing
11436	104" Wide Aluminum Housing

Base System

without wind deflector or housing
Part # 11419

Heavy Duty Upgrade to 60:1 Motor
Add –BP suffix to any syste



Upgrade to EZ Switch
Add –EZ suffix to any syste



Ground Level Manual Crank,
Add –GLC to any electric system



Heavy Duty Upgrade to HD Tarp Axle
Add –HD suffix to any syste



US Tarp® Galvanized Steel External Mount



OPTIONS

Single Box System Packaging w/
Lower Arms Assembled Part # 1BOX



Galvanized Steel Tension Bow
Part# 7671S



FEATURES:

- Telescopic Arms to fit a wide range of body lengths.
- Galvanized Steel arm finish
- Trailer Systems available with these arms on pages 13 & 14.
- Parts for this system can be found on pages 17, 18, 20, & 22.

Tension Hoop
Part # 12372



30° & 45° Elbow Kit
Part # 13845 & 13546



Steel Bent Arms
Add -BA to steel systems



Heavy Duty Upgrade to
60:1 Motor Add -BP suffi
to any system



Powerhouse Heavy Duty
Tarp Motor Upgrade
Add -PH to system part #



FITS DUMP BODIES 24' OR LESS IN LENGTH

Steel 4-Spring External Mount System, Standard Duty Kit, see page 3

Total System Cost With...

11526	97" Wide Wind Deflector
11527	103" Wide Wind Deflector
15004	102" Wide Smooth Wind Deflector
15005	Open Top Aluminum Housing, up to 102" wide
12323	92" Wide Aluminum Housing
11450	98" Wide Aluminum Housing
11451	104" Wide Aluminum Housing



Base System
without wind deflector or housing
Part # 11525

FITS DUMP BODIES UP TO 26' IN LENGTH

Steel 5-Spring External Mount System, Standard Duty Kit, see page 3

Total System Cost With...

12302	97" Wide Wind Deflector
12305	103" Wide Wind Deflector
15006	102" Wide Smooth Wind Deflector
15007	Open Top Aluminum Housing, up to 102" wide
12336	92" Wide Aluminum Housing
12337	98" Wide Aluminum Housing
12338	104" Wide Aluminum Housing

Base System
without wind deflector or housing
Part # 11567

Upgrade to EZ Switch
Add -EZ suffix to any syste



Heavy Duty Upgrade to HD Tarp Axle Add -HD suffix to any system



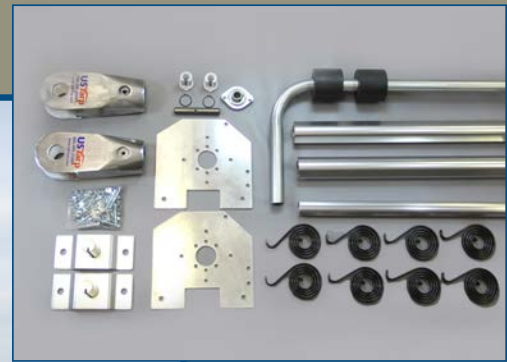
Upgrade to wireless remote Add -WL suffix to any syste



Ground Level Manual Crank, Add -GLC to any electric system



US Tarp® Bulletproof Aluminum External Mount



FEATURES:

- High strength one piece arms, 100% Mountain Tarp interchangeable.
- The standard cross tube is Galvanized Steel and for a 96" wide body.
- Trailer Systems available with these arms on pages 15 & 16.
- Parts for this system can be found on pages 17, 18, 21, & 22.

OPTIONS

Single Box System Packaging w/
Lower Arms Assembled Part # 1BOX

Stainless Steel Hardware
Add -SS to any system

Steel Cross Tube for 102" wide body
Add -102 to system part #

Hybrid Aluminum & Steel Cross Tube
Add -HY to any system



Aluminum Cross Tube w/ Casting
Elbows, Add -AL to system part #

Tension Bow
Part # 7671-BP

Tension Hoop
Part # 12372

Bulletproof Bent Arms
Add -BA to bulletproof systems

Powerhouse Heavy Duty
Tarp Motor Upgrade
Add -PH to system part #



FITS DUMP BODIES UP TO 20' IN LENGTH*

Bulletproof 4-Spring Aluminum System (144" Arms)
Standard Duty Kit, see page 3

Total System Cost With...

15043	97" Wide Wind Deflector
15044	103" Wide Wind Deflector
15045	102" Wide Smooth Wind Deflector
15046	Open Top Aluminum Housing, up to 102" wide
15047	92" Wide Aluminum Housing
15048	98" Wide Aluminum Housing
15049	104" Wide Aluminum Housing



Bulletproof Aluminum Profil

Base System

without wind deflector or housing
Part # 15042

FITS DUMP BODIES 24' OR LESS IN LENGTH*

Bulletproof 4-Spring Aluminum System (168" Arms)
Standard Duty Kit, see page 3

Total System Cost With...

14077	97" Wide Wind Deflector
14078	103" Wide Wind Deflector
15050	102" Wide Smooth Wind Deflector
15051	Open Top Aluminum Housing, up to 102" wide
14079	92" Wide Aluminum Housing
14080	98" Wide Aluminum Housing
14081	104" Wide Aluminum Housing

Base System

without wind deflector or housing
Part # 14076

FITS DUMP BODIES 24' OR LESS IN LENGTH*

Bulletproof 5-Spring Aluminum System (168" Arms)
Standard Duty Kit, see page 3

Total System Cost With...

15467	97" Wide Wind Deflector
15468	103" Wide Wind Deflector
15469	102" Wide Smooth Wind Deflector
15470	Open Top Housing, Up to 102" wide
15471	92" Wide Aluminum Housing
15472	98" Wide Aluminum Housing
15473	104" Wide Aluminum Housing

Base System

without wind deflector or housing
Part # 15466

Upgrade to EZ Switch
Add -EZ suffix to any syste



Heavy Duty Upgrade to HD Tarp Axle
Add -HD suffix to any syste



Ground Level Manual Crank,
Add -GLC to any electric system

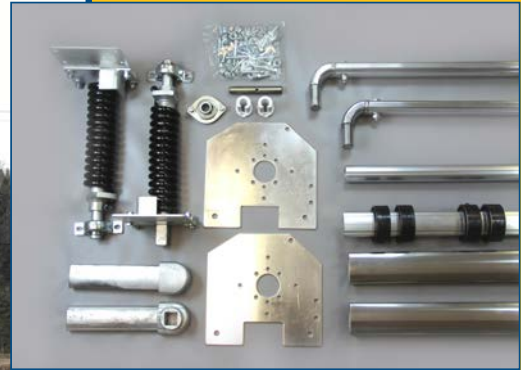


Heavy Duty Upgrade to 60:1 Motor
Add -BP suffix to any syste



*Indicates oversized items, one box packaging may not be available, and over length shipping rates apply.

US Tarp® Polished Aluminum Underbody Mount



OPTIONS

Single Box System Packaging w/
Lower Arms Assembled Part # 1BOX



Stainless Steel Hardware
Add -SS to any system



SYSTEM UPGRADES:

- Upgrade from Standard Duty to Heavy Duty Build, Add -HDS to part #.
- Upgrade from Standard Duty to Heavy Duty Plus build, Add -HDP to part #.
- Upgrade from Heavy Duty to Heavy Duty Plus build, Add -HDP to part #.
- Parts for this system can be found on pages 17, 18, 19, & 22.

30° & 45° Elbow Kit
Part # 11301 & 11302



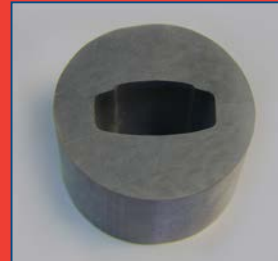
Dual Conductor Plug Sets
Verti # 11264 & Horiz # 14566



Quick Connects
Part # 14316



Rubber Tarp Centering Flanges
Add -CEN suffix to any syste



Powerhouse Heavy Duty
Tarp Motor Upgrade
Add -PH to system part #





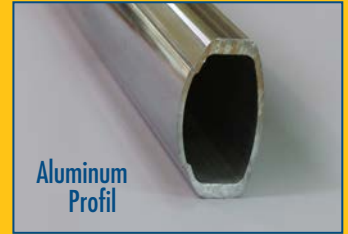
FITS DUMP BODIES 26' OR LESS IN LENGTH

84" Underbody Mount Aluminum System, Standard Duty Kit, see page 3

Total System Cost With...

11437	97" Wide Wind Deflector
11438	103" Wide Wind Deflector
15022	102" Wide Smooth Wind Deflector
15023	Open Top Aluminum Housing, up to 102" wide
11439	92" Wide Aluminum Housing
11440	98" Wide Aluminum Housing
11441	104" Wide Aluminum Housing

Up to 28' Trailer, add -96 suffix to part number and add...



Aluminum Profil

Base System

without wind deflector or housing
Part # 11535

FITS DUMP BODIES 38' OR LESS IN LENGTH*

144" Underbody Mount Aluminum System, Heavy Duty Kit, see page 3

Total System Cost With...

11442	97" Wide Wind Deflector
11443	103" Wide Wind Deflector
15032	102" Wide Smooth Wind Deflector
15033	Open Top Aluminum Housing, up to 102" wide
11444	92" Wide Aluminum Housing
11445	98" Wide Aluminum Housing
11446	104" Wide Aluminum Housing

Base System

without wind deflector or housing
Part # 11421

FITS DUMP BODIES UP TO 40' IN LENGTH*

192" Underbody Mount Aluminum System, Heavy Duty Plus Kit, see page 3

Total System Cost With...

15035	97" Wide Wind Deflector
15036	103" Wide Wind Deflector
15037	102" Wide Smooth Wind Deflector
15038	Open Top Aluminum Housing, up to 102" wide
15039	92" Wide Aluminum Housing
15040	98" Wide Aluminum Housing
15041	104" Wide Aluminum Housing

Base System

without wind deflector or housing
Part # 15034

Upgrade to EZ Switch
Add -EZ suffix to any syste



4 Housing Support Braces w/Hardware
Part # 13606



2 Open Top Housing Support Braces
w/Hardware Part # 14836



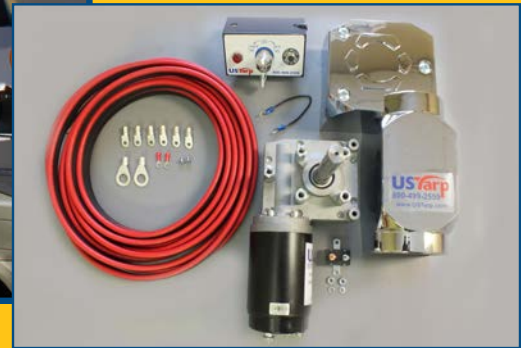
Ground Level Manual Crank,
Add -GLC to any electric system



*Indicates oversized items, one box packaging may not be available, and over length shipping rates apply.



US Tarp® Galvanized Steel Underbody Mount



OPTIONS

Single Box System Packaging w/
Lower Arms Assembled Part # 1BOX



SYSTEM UPGRADES:

- Upgrade from Standard Duty to Heavy Duty Build, Add -HDS to part #.
- Upgrade from Standard Duty to Heavy Duty Plus build, Add -HDP to part #.
- Telescopic arms fit a wide range of body lengths
- Parts for this system can be found on pages 17, 18, 19, & 22.

Steel 30° & 45° Elbow Kit
Part # 13845 & 13546



Steel 30° Bent Arms
Add -BA to steel systems



Dual Conductor Plug Sets
Vertical # 11264 & Horiz # 14566



Quick Connects
Part # 14316



Powerhouse Heavy Duty
Tarp Motor Upgrade
Add -PH to system part #



FITS DUMP BODIES 26' OR LESS IN LENGTH

63" Underbody Mount Galvanized Steel System, Standard Duty Kit, see page 3
Total System Cost With...

11558	97" Wide Wind Deflector
11559	103" Wide Wind Deflector
16529	102" Wide Smooth Wind Deflector
16530	Open Top Aluminum Housing, up to 102" wide
12262	92" Wide Aluminum Housing
12263	98" Wide Aluminum Housing
12264	104" Wide Aluminum Housing



Base System
without wind deflector or housing
Part # 11540

FITS DUMP BODIES 28' OR LESS IN LENGTH

84" Underbody Mount Galvanized Steel System, Standard Duty Kit, see page 3
Total System Cost With...

15008	97" Wide Wind Deflector
15009	103" Wide Wind Deflector
15010	102" Wide Smooth Wind Deflector
15011	Open Top Aluminum Housing, up to 102" wide
15012	92" Wide Aluminum Housing
15013	98" Wide Aluminum Housing
15014	104" Wide Aluminum Housing

Base System
without wind deflector or housing
Part # 14121

FITS DUMP BODIES UP TO 38' OR LESS IN LENGTH*

126" Underbody Mount Galvanized Steel System, Heavy Duty Plus Kit, see page 3
Total System Cost With...

15015	97" Wide Wind Deflector
15016	103" Wide Wind Deflector
15017	102" Wide Smooth Wind Deflector
15018	Open Top Aluminum Housing, up to 102" wide
15019	92" Wide Aluminum Housing
15020	98" Wide Aluminum Housing
15021	104" Wide Aluminum Housing

Base System
without wind deflector or housing
Part # 14221

Upgrade to EZ Switch
Add -EZ suffix to any syste



4 Housing Support Braces w/Hardware
Part # 13606



2 Open Top Housing Support Braces
w/Hardware Part # 14836

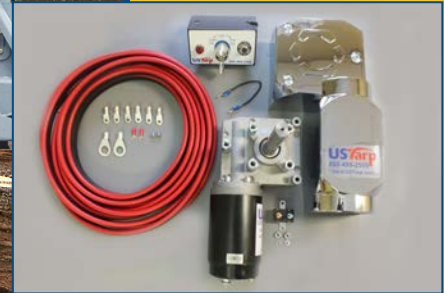
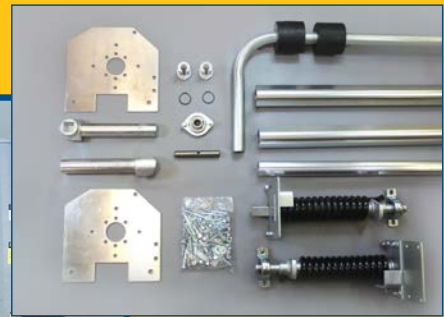


Ground Level Manual Crank,
Add -GLC to any electric system



*Indicates oversized items, one box packaging may not be available, and over length shipping rates apply.

US Tarp® Bulletproof Aluminum Underbody Systems



SYSTEM UPGRADES:

- Upgrade from Standard Duty to Heavy Duty Build, Add -HDS to part #.
- Upgrade from Standard Duty to Heavy Duty Plus build, Add -HDP to part #.
- Upgrade from Heavy Duty to Heavy Duty Plus build, Add -HDP to part #.
- The standard cross tube is Galvanized Steel and for a 96" wide body.
- Parts for this system can be found on pages 17, 18, 21, & 22.

OPTIONS

Single Box System Packaging w/
Lower Arms Assembled Part # 1BOX

Stainless Steel Hardware
Add -SS to any system

Steel Cross Tube for 102" wide body
Add -102 to system part

Aluminum Cross Tube with Casting
Elbows, add -AL to system part #



Hybrid Aluminum & Steel Cross
Tube Add -HY to any system

Bulletproof Bent Arms
Add -BA to Bulletproof Systems

Arm Locks
Part # 14997

Dual Conductor Plug Sets
Vertical # 11264 & Horiz # 14566

Powerhouse Heavy Duty
Tarp Motor Upgrade
Add -PH to system part #



FITS DUMP BODIES UP TO 26' IN LENGTH*

168" Bulletproof Aluminum Underbody Mount System

Standard Duty Kit with Motor Upgrade, see page 3. Heavy Duty Kits Have ** Below

Total System Cost With...

15052	97" Wide Wind Deflector
15053	103" Wide Wind Deflector
15054	102" Wide Smooth Wind Deflector
15055	Open Top Aluminum Housing, up to 102" wide
15056	92" Wide Aluminum Housing
15057	98" Wide Aluminum Housing
15058	104" Wide Aluminum Housing

For Up to 20' Trucks, add -144 suffix to any part # and subtract

**For Up to 30' Trailer, add -192 suffix to any part #...

**For Up to 32' Trailer, add -210 suffix to any part #...



Bulletproof Arm

Base System

without wind deflector or housing
Part # 13625

FITS DUMP BODIES UP TO 38' IN LENGTH*

240" Bulletproof Aluminum Underbody Mount System

Heavy Duty Plus Kit, see page 3

Total System Cost With...

15073	97" Wide Wind Deflector
15074	103" Wide Wind Deflector
15075	102" Wide Smooth Wind Deflector
15076	Open Top Aluminum Housing, up to 102" wide
15077	92" Wide Aluminum Housing
15078	98" Wide Aluminum Housing
15079	104" Wide Aluminum Housing

Base System

without wind deflector or housing
Part # 14503

FITS DUMP BODIES 45' OR LESS IN LENGTH*

HD Bulletproof System for Trailer, 13 Coil Spring and Contact Plate

Extreme Duty Kit, see page 3

Total System Cost With...

15088	Add XL Scrap Hauler Housing Trailer Wiring Instead of Contact Plate, add -Wire suffix to part number...
-------	---



HD Bulletproof Arm

Base System

without wind deflector or housing
Part # 15087

Upgrade to EZ Switch
Add -EZ suffix to any syste



4 Housing Support Braces w/Hardware
Part # 13606



2 Open Top Housing Support Braces
w/Hardware Part # 14836



Ground Level Manual Crank,
Add -GLC to any electric system



*Indicates oversized items, one box packaging may not be available, and over length shipping rates apply.

BULLETPROOF UNIVERSAL TARP MOTORS

- Universal 5 Bolt Hole Mounting Pattern.
- Replaces All Competitor Tarp Motors on Front to Back Systems.
- Chrome Cover, Mounting Plate, Electrical Connections, and all Mounting Hardware Included.
- Manufacturer's 3 year warranty with completed warranty card submitted.

Bulletproof Slim Motor (50:1) Rated for 8' - 26'



Part # 13655

Bulletproof Slim Motor (90:1) Rated for 26' - 38'



Part # 15364

Bulletproof Tarp Motor (60:1) Rated for 15' - 34'



Part # 13732

Bulletproof Tarp Motor (90:1) Rated for 28' - 38'



Part # 13957

HD Bulletproof Tarp Motor (90:1) Rated for 28' - 45'
Powerhouse Heavy Duty Tarp Motor



Part # 15133

Part # 11248

Bulletproof Motor w/ Keyway in Shaft (90:1) Rated for 12' - 38'
Bulletproof Dual Shaft Tarp Motor (90:1) Rated for 28' - 38'



13957-KEYWAY

13957-DUAL

24v Bulletproof Tarp Motor (90:1) Rated for 12' - 38'



Part # 15275

BP Hydraulic Tarp Motor (60:1) Rated for Up to 44'



Part # 14370

Wireless Remote Kit



Part # 15416

EZ Switch Relay



Part # 13994

EZ Switch Kit



Part # 12250-ROCKER

Waterproof EZ Switch Kit



12250-WATERPROOF
40 AMP Manual Reset
& 50 AMP Auto Reset

Rocker Switch



Part # 13979

Rotary Switch



Part # 11129

Rotary Switch Kit



Part # 11479

Waterproof Rotary Switch Kit



Part # 15370



40 AMP Part # 11156
50 AMP Part # 13720

Waterproof Auto Reset
Breaker w/ Mounting tabs



40 AMP Part # 16009
50 AMP Part # 16015

Trombetta Direct
Replacement Relay



Part # 12244

EZ Relay Integrated Cover



Part # 10698-C

Poly Rocker Switch Bracket



Part # 10390

Electric Conversion Kit



Part # 12224
Part # 12224-BP

Dual Conductor Wire



6GA. Part # 11147
8GA. Part # 11279

Complete Coiled Wiring Kit



14993-VKIT OR #14993-HKIT

Vertical or Horizontal
Plug Kit



11264 or # 14566

Upper Aluminum
Tarp Bow Kit



Part # 7670

4 Spring Steel Arm Kit



Part # 12223

4 Spring Aluminum Arm Kit



Part # 11564

Rubber Wrapped Aluminum
Arm Rest Kit



Part # 11303

Trailer Contact Plate



Part # 14995

Ground Level Crank Box



Part # 11668

Bulletproof Slim
Chrome Cover



Part # 15859

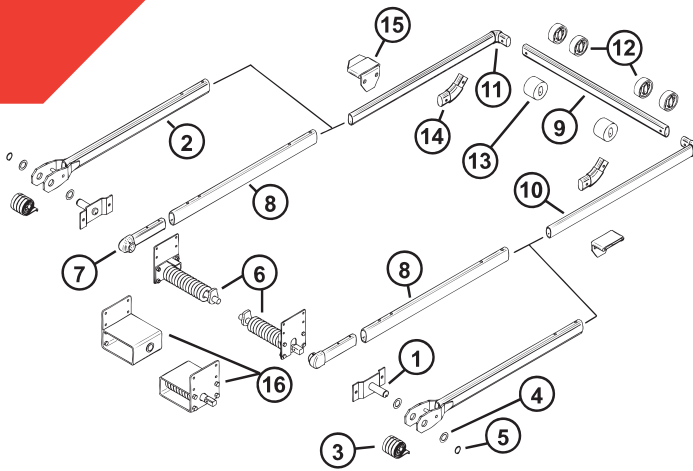
Bulletproof Long Shaft/HD
Chrome Cover



Part # 15745



US Tarp® Polished Aluminum



Optional Items

Ref #	Qty Req	Part #	Description
13	2	14942	2-1/2" Rubber Tarp Centering Flange
14	2	11233	Optional Aluminum 45 Degree Elbow, each
14	2	11234	Optional Aluminum 30 Degree Elbow, each
15	2	11177	Aluminum Stop Bracket w/ Rubber Bumper
16	1	14191	7 Spring Underbody Assembly - Left - Drivers Side
16	1	14192	7 Spring Underbody Assembly - Right - Passengers Side
16	1	13954	10 Spring Underbody Assembly - Left - Drivers Side
16	1	13955	10 Spring Underbody Assembly - Right - Passengers Side

External Mount Polished Aluminum Arms

Reference Number	Quantity Required	Part Number	Description
1	2	11183	3-Spring Pivot Pin
1	2	11132	4-Spring Pivot Pin
1	2	11272	5-Spring Pivot Pin
2	2	11244	3-Spring Lower Aluminum Arm, 31" Length
2	2	14084	4-Spring Lower Aluminum Arm, 48" Length
2	2	11243	4-Spring Lower Aluminum Arm, 60" Length
2	2	11242	5-Spring Lower Aluminum Arm, 84" Length
3	6-10	11121	Spiral Torsion Spring
4	4	11141	Stainless Steel Bushing for Pivot Pin
5	2	11142	Retaining Ring for Pivot Pin
Not Shown	1	13523	Hardware Kit for External Mount Lower Arms

Underbody & Side Mount Polished Aluminum Arms

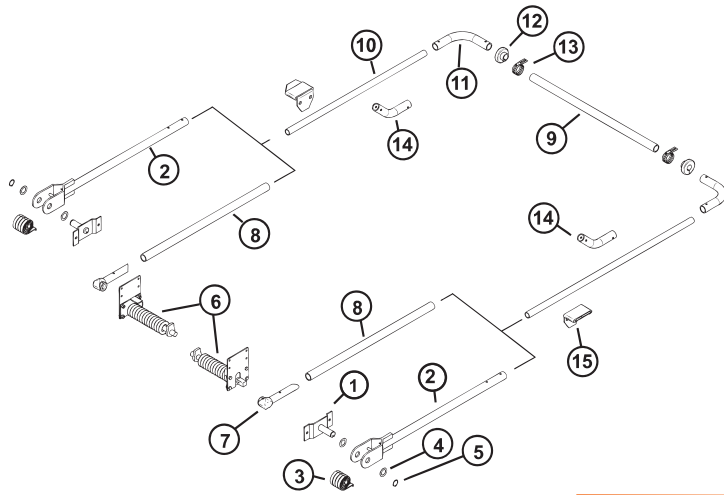
Reference Number	Quantity Required	Part Number	Description
6	1	11224	Underbody Spring Assembly, Right - Passengers Side
6	1	11225	Underbody Spring Assembly, Left - Drivers Side
7	2	11226	Underbody Aluminum Arm Casting
8	2	11228	Underbody Aluminum Lower Arm, 84" Length
8	2	14971	Underbody Aluminum Lower Arm, 96" Length
8	2	11227	Underbody Aluminum Lower Arm, 144" Length*
8	2	14972	Underbody Aluminum Lower Arm, 192" Length*
Not Shown	1	13525	Hardware Kit for Underbody Mount Lower Arms

Polished Aluminum Upper Arms

Reference Number	Quantity Required	Part Number	Description
9	1	11232	Aluminum Cross Tube, 105-1/2" Long
10	2	11236	Aluminum Upper Side Arm, 98" Long
10	2	14600	Aluminum Upper Side Arm, 122" Long*
11	2	11235	Aluminum 90 Degree Corner
12	4	11231	Plastic Tarp Centering Flange
Not Shown	1	14073	Hardware Kit for Aluminum Upper Arms

*Indicates oversized items, and over length shipping rates apply.

US Tarp® Galvanized Steel



Optional Items

Ref #	Qty Req	Part #	Description
14	2	13468	Optional Steel 45 Degree Elbow, each
14	2	13700	Optional Steel 30 Degree Elbow, each
15	2	11177S	Steel Stop Bracket w/ Rubber Bumper

External Mount Galvanized Steel Arms

Reference Number	Quantity Required	Part Number	Description
1	2	11132	4-Spring Pivot Pin
1	2	11272	5-Spring Pivot Pin
2	2	11266	4-Spring Lower Steel Arm, 36" Length
2	2	11370	5-Spring Lower Steel Arm, 48" Length
3	8-10	11121	Spiral Torsion Spring
4	4	11141	Stainless Steel Bushing for Pivot Pin
5	2	11142	Retaining Ring for Pivot Pin
Not Shown	1	13523	Hardware Kit for External Mount Lower Arms

Underbody & Side Mount Galvanized Steel Arms

Reference Number	Quantity Required	Part Number	Description
6	1	11224	Underbody Spring Assembly, Right - Passengers Side
6	1	11225	Underbody Spring Assembly, Left - Drivers Side
7	2	11358	Underbody Steel Lower Arm Casting
8	2	13776	Steel Lower Side Arm, 63" Long
8	2	13819	Steel Lower Side Arm, 84" Long
8	2	13854	Steel Lower Side Arm, 126" Long*
Not Shown	1	13525	Hardware Kit for Underbody Mount Lower Arms

Galvanized Steel Upper Arms

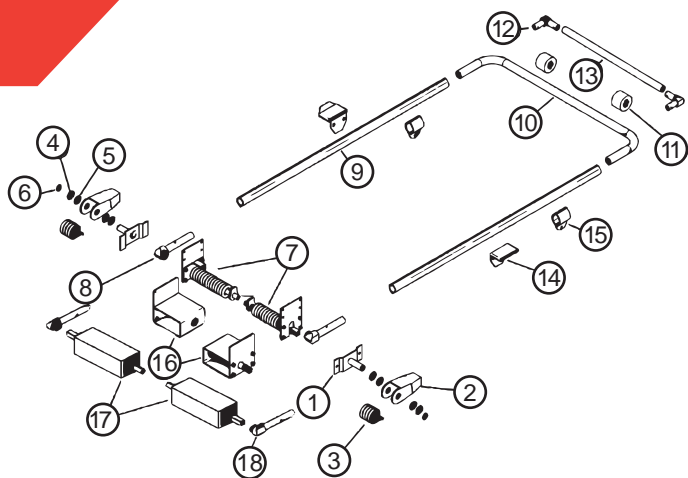
Reference Number	Quantity Required	Part Number	Description
9	1	11269	Steel Cross Tube, 96" Long
10	2	11268	Steel Upper Side Arm, 120" Long*
11	2	11267	Steel 90 Degree Corner
12	2	13941	Rubber Tarp Centering Flange
13	2	13913	Tarp Collar Clamp
Not Shown	1	14074	Hardware Kit for Upper Arms

*Indicates oversized items, and over length shipping rates apply.

US Tarp® Bulletproof Polished Aluminum

Optional Items

Ref #	Qty Req	Part #	Description
12	2	13373	Upper Bulletproof Arm Casting
13	1	13602	Bulletproof Cross Tube, Aluminum, 96" Length
N/A	2	13730-A	Rubber Centering Flange for Aluminum Cross Tube
N/A	2	13913	Tarp Collar Clamp
14	2	11177	Aluminum Stop Bracket w/ Rubber Bumper
15	1	14997	Arm Hold Down Kit
16	1	14191	7 Spring Underbody Assembly - Left - Drivers Side
16	1	14192	7 Spring Underbody Assembly - Right - Passengers Side
16	1	13954	10 Spring Underbody Assembly - Left - Drivers Side
16	1	13955	10 Spring Underbody Assembly - Right - Passengers Side
N/A	1	15677	30 Degree Elbow Kit for Bulletproof Arms



External Mount Items

Reference Number	Quantity Required	Part Number	Description
1	2	11132	4-Spring Pivot Pin
2	2	13942	4-Spring External Mount Casting for Bulletproof Arm
3	8-10	11121	Spiral Torsion Spring
4	4	11141	Stainless Steel Bushing for Pivot Pin
5	2	11142	Retaining Ring for Pivot Pin
6	4	14434	Brass Bushing
Not Shown	1	16080	Hardware Kit for External Mount 4 Spring Lower Arms
Not Shown	1	16081	Hardware Kit for External Mount 5 Spring Lower Arms

Underbody Mount Items

Reference Number	Quantity Required	Part Number	Description
7	1	11224	Underbody Spring Assembly, Right - Passengers Side
7	1	11225	Underbody Spring Assembly, Left - Drivers Side
8	2	13634	Underbody Bulletproof Arm Casting
17	1	14967	HD BP Underbody Spring, Right - Passengers Side
17	1	14966	HD BP Underbody Spring, Left - Drivers Side
18	2	15717	HD Bulletproof Casting
Not Shown	1	16082	Hardware Kit for Standard Underbody Mount Lower
Not Shown	1	16083	Hardware Kit for Heavy Duty Underbody Mount Lower

Bulletproof Aluminum Arms

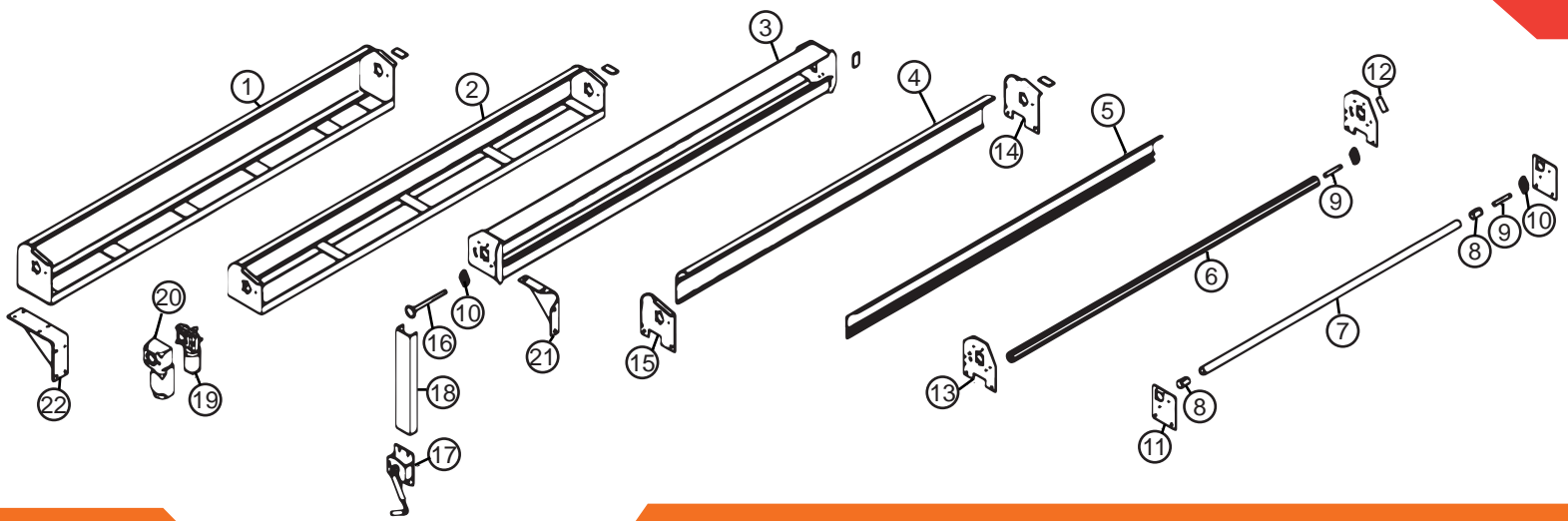
Reference Number	Quantity Required	Part Number	Description
9	2	14877	Aluminum Bulletproof Arm, 144" Length*
9	2	13633	Aluminum Bulletproof Arm, 168" Length*
9	2	13722	Aluminum Bulletproof Arm, 192" Length*
9	2	14801	Aluminum Bulletproof Arm, 210" Length*
9	2	13723	Aluminum Bulletproof Arm, 240" Length*
9	2	14748	Heavy Duty Aluminum Bulletproof Arm, 288" Length*
Not Shown	2	-BA	Add 30 Degree Bend to any Arm, per bend

Upper Arm Items

Reference Number	Quantity Required	Part Number	Description
10	1	14521	Steel Cross Tube 102" Wide, for 96" Wide Trailer
10	1	14522	Steel Cross Tube 108" Wide, for 102" Wide Trailer
11	2	13632	3" Rubber Tarp Centering Flange
Not Shown	1	16084	Hardware Kit for Bulletproof Arm Upper Assembly

*Indicates oversized items, and over length shipping rates apply.

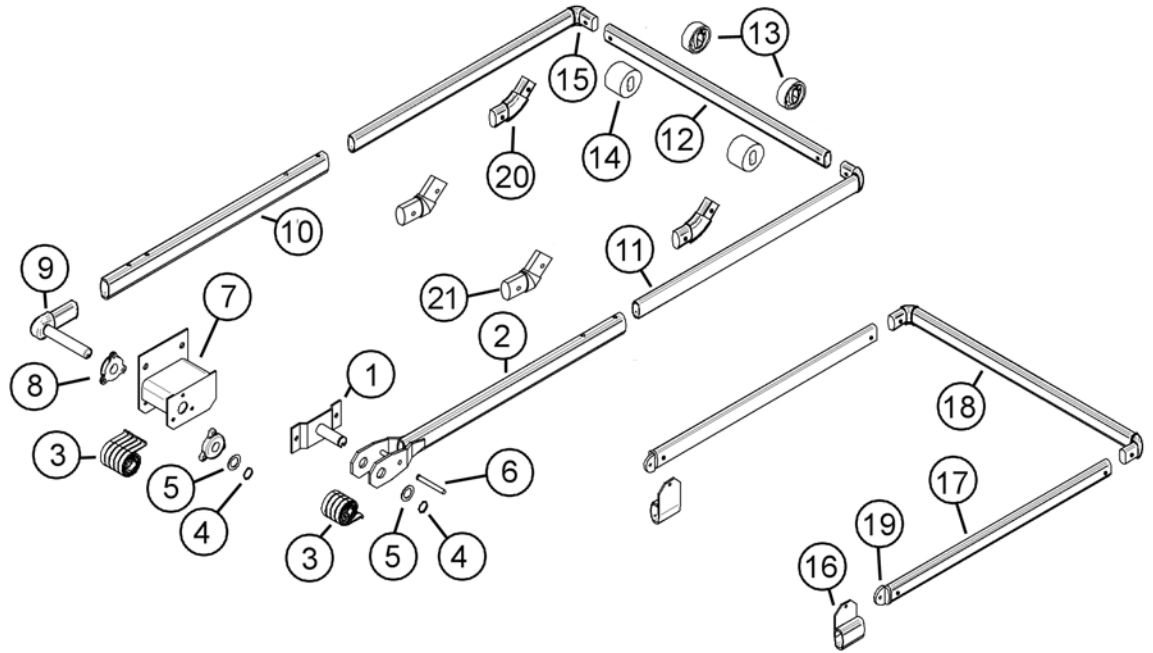
US Tarp® Polished Aluminum Tarp Spool



Polished Aluminum Tarp Spool

Reference Number	Quantity Required	Part Number	Description
1	1	15089	Large Aluminum Trailer Tarp Housing, up to 102" width
2	1	14824	Open Top Aluminum Housing, up to 102" width
3	1	11211	Aluminum Tarp Spool Housing, 92"
3	1	11210	Aluminum Tarp Spool Housing, 98"
3	1	11286	Aluminum Tarp Spool Housing, 104"
4	1	14870	Smooth Front Aluminum Wind Deflecto , up to 102" width
5	1	11208	Polished Aluminum Wind Deflecto , 103" width
5	1	11380	Polished Aluminum Wind Deflecto , 97" width
6	1	11200	2" Heavy Duty Aluminum Tarp Axle, 101-5/8" width
6	1	11385	2" Heavy Duty Aluminum Tarp Axle, 95-5/8" width
7	1	13967	1-1/2" Aluminum Tarp Axle, 103" width
8	2	13943	1-1/2" Tarp Axle Cap
9	1	11201	Spool Shaft, 5"
10	1-2	11139	3/4" Axle Bearing
11	2	11366	Steel Tarp Spool Mounting Bracket
11	2	11366-6mm	Heavy Duty Steel Tarp Spool Mounting Bracket
12	2	11143	Bumper for Tarp Spool Mounting Bracket
13	2	11295	Aluminum Tarp Spool Mounting Bracket with Bumper
14	1	14983R	Smooth Front Wind Deflector Mounting Bracket, Right - Passengers Sid
15	1	14983L	Smooth Front Wind Deflector Mounting Bracket, Left - Drivers Sid
16	1	12357	Upper 18-Tooth Sprocket & Shaft
17	1	11668	Ground Level Crankbox
Not Shown	1	11285	#40 Chain with Master Link, 12 ft
18	1	12230	Optional Steel Chain Guard
19	1	13655	Bulletproof Slim Motor with Cover
19	1	13732	Bulletproof Long Shaft 60:1 with Cover
19	1	13957	Bulletproof Long Shaft 90:1 with Cover
19	1	11248	Powerhouse Heavy Duty Tarp Motor
20	1	15859	Bulletproof Slim Chrome Cover with Hardware
20	1	15745	Bulletproof Long Shaft/HD Chrome Cover with Hardware
20	1	11523	Slim Chrome Cover with Backerplate Kit
20	1	15744	Bulletproof Chrome Cover with Backerplate Kit
21	4	11209	Aluminum Housing Support Braces, each
22	2	14835	Open Top Housing Support Brace, each

Replacement Parts for Roll-Rite®



Roll-Rite® External Mount Replacement Parts

Reference Number	Quantity Required	Part Number	Description
1	2	45330	3-Spring Pivot Pin, Steel
1	2	45340	4-Spring Pivot Pin, Steel
1	2	45350	5-Spring Pivot Pin, Steel
2	2	46130	3-Spring External Mount Pivot Arm, 48"
2	2	46130-31	3-Spring External Mount Pivot Arm, 31"
2	2	46140	4-Spring External Mount Pivot Arm, 84"
2	2	46140-60	4-Spring External Mount Pivot Arm, 60"
2	2	46150	5-Spring External Mount Pivot Arm, 84"
3	6-10	47230	Spiral Torsion Spring
4	2	47000	Snap Ring for Pivot Pins
5	4	47010	Bushing for Pivot Pins
6	2	18560	1/2" x 4-1/8" Clevis Pin for 5-Spring Pivot Only

Replacement Parts

Pivot Pin for 5 or 6 Spring Underbody

REF # 9



6 Spring Underbody Pivot

L-DS:46070 R-PS:46080

REF # 7



Extreme 45° Lower Arm Elbow Casting

Part # 76915

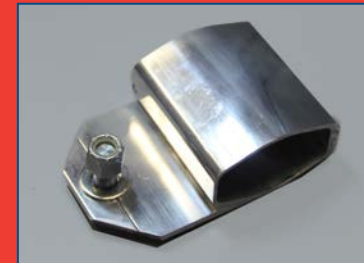


Tension Bow Mounting Bracket

REF # 21

Part # 76830

REF # 16



All Manufacturers' names, numbers, symbols, and descriptions are used for reference purposes only, and it does not imply that any part listed is the product of these manufactures.

Roll-Rite® Pivot Replacement Parts

Reference Number	Quantity Required	Part Number	Description
7	1	46010	Bracket for 5 or 6 Spring Underbody Pivots, Left - Drivers Side
7	1	46020	Bracket for 5 or 6 Spring Underbody Pivots, Right - Passengers Side
7	1	47520	Bracket for 8 Spring Underbody Pivots, Left - Drivers Side
7	1	47530	Bracket for 8 Spring Underbody Pivots, Right - Passengers Side
7	1	46090	Assembled 5-Spring Underbody Pivot, Left - Drivers Side
7	1	46100	Assembled 5-Spring Underbody Pivot, Right - Passengers Side
7	1	46070	Assembled 6-Spring Underbody Pivot, Left - Drivers Side
7	1	46080	Assembled 6-Spring Underbody Pivot, Right - Passengers Side
7	1	47500	Assembled 8-Spring Underbody Pivot, Left - Drivers Side
7	1	47510	Assembled 8-Spring Underbody Pivot, Right - Passengers Side
Not Shown	1	46480	6 Spring Fender/Top Mount Spring Assembly, Right - Passengers Side
Not Shown	1	46470	6 Spring Fender/Top Mount Spring Assembly, Left - Drivers Side
Not Shown	1	47470	8 Spring Fender/Top Mount Spring Assembly, Left - Drivers Side
Not Shown	1	47480	8 Spring Fender/Top Mount Spring Assembly, Right - Passengers Side
8	4	47800	1-1/4" Carrier Bearing
9	1	46360	Pivot Pin for 5 or 6-Spring Underbody, Left - Drivers Side
9	1	46370	Pivot Pin for 5 or 6-Spring Underbody, Right - Passengers Side
9	1	47400	Pivot Pin for 8-Spring Underbody, Left - Drivers Side
9	1	47410	Pivot Pin for 8-Spring Underbody, Right - Passengers Side
10	2	46250	Pivot Tube for 5-Spring Underbody, 96" Long
10	2	46260	Pivot Tube for 6-Spring Underbody, 144" *
10	2	47450	Pivot Tube for 8-Spring Underbody, 192" *

Roll-Rite® Bow Replacement Parts

Reference Number	Quantity Required	Part Number	Description
11	2	76760	Side Arm w/Corner for Tarp Bow, 98"
12	1	76770	Standard Top Tube for Tarp Bow, 98"
12	1	76870	Wide Top Tube for Tarp Bow, 103-1/2"
13	2	76810	Plastic Tarp Centering Flange (per pair)
14	2	15369	Rubber Tarp Centering Flange (each)
15	2	76800	90 Degree Corner

Roll-Rite® Tension Bow Replacement Parts

Reference Number	Quantity Required	Part Number	Description
16	2	76830	Tension Bow Mounting Bracket
17	2	76780	Side Arm, w/ End Tab for Tension Bow, 98"
17	2	76880	Long Side Arm, w/ End Tab for Tension Bow, 103"
18	1	76790	Standard Top Tube w/ Corners for Tension Bow, 98"
18	1	76890	Wide Top Tube w/ Corners for Tension Bow, 105-1/2"
19	2	76820	Tension Bow End Tab

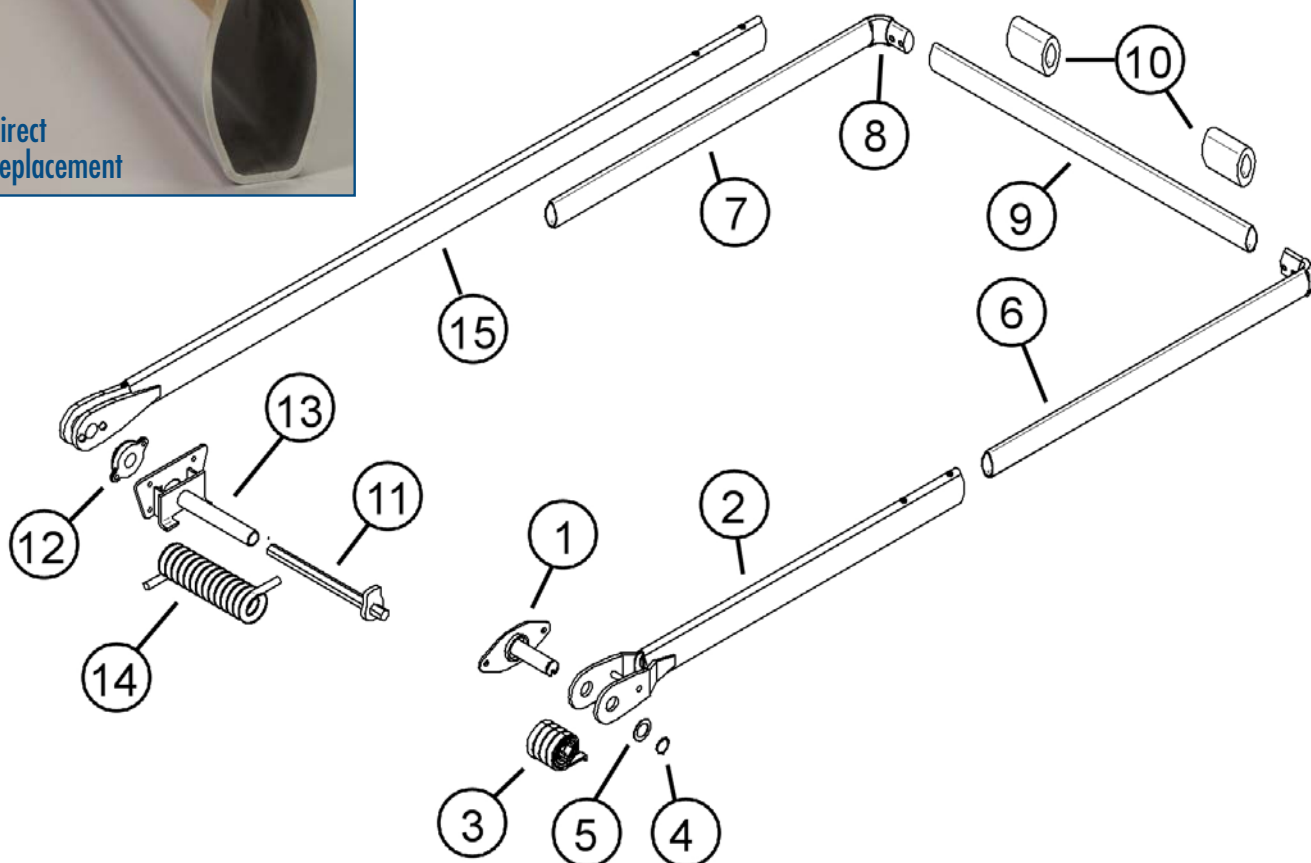
Roll-Rite® Miscellaneous Replacement Parts

Reference Number	Quantity Required	Part Number	Description
Not Shown	1	31050	3/4" Cast Iron Flange Bearing 2-13/16" C.D.
20	2	76900	Aluminum 30 Degree Elbow
20	2	76910	Aluminum 45 Degree Elbow
21	2	76915	Extreme 45 Degree Lower Arm Elbow Casting

Roll-Rite®, is a registered trademark of the Roll Rite Corporation

*Indicates oversized items, and over length shipping rates apply.

Replacement Parts for Donovan®



Replacement Parts

Pivot Arm Mounting Assembly
Part # 1787

Ref # 1



Pivot Arm Lower
Part # 3211



Elbow 90 Degree
Part # 2842D

Ref # 2



Rubber Tarp Stop
Part # 3771N

Ref # 8

Ref # 10



All Manufactures' names, numbers, symbols, and descriptions are used for reference purposes only, and it does not imply that any part listed is the product of these manufactures.

Donovan® Side Mount Replacement Parts

Reference Number	Quantity Required	Part Number	Description
1	2	1787	Pivot Arm Mounting Assembly
2	2	3211	Pivot Arm, Lower
3	8	2416	Spring, Flat Coil, Torsion
4	2	2834	Ring, Retaining, 1 1/4"
5	2	2833	Shim, 1 1/4" x .047"
6	1	3244	Pivot Arm, Left - Drivers Side, Upper, 100" with Elbow
7	1	3245	Pivot Arm, Right - Passengers Side, Upper, 100" with Elbow
8	2	2842D	Elbow, 90 degree
9	1	3279	Rear Cross Piece, 100"
10	2	3771N	Rubber Tarp Stop
Not Shown	1	1190	30 degree Pivot Arm, Left - Drivers Side, Upper, 100" with Elbow
Not Shown	1	1191	30 degree Pivot Arm, Right - Passengers Side, Upper, 100" with Elbow

Donovan® Underbody Mount Replacement Parts

Reference Number	Quantity Required	Part Number	Description
11	1	3657	Spring Shaft Welded Assembly
12	1	3346	1" Round Flange Bearing
13	1	3658	Pivot Mounting Plate Assy., U/B
Not Shown	1	1037	Spring, 21-coil Torsion Spring, Left - Drivers Side
14	1	1039	Spring, 21-coil Torsion Spring, Right - Passengers Side
Not Shown	1	3944	Pivot Arm, Left - Drivers Side, Lower Assembly
15	1	3945	Pivot Arm, Right - Passengers Side, Lower Assembly
6	1	3947	Pivot Arm, Left - Drivers Side, Upper 120" with Elbow*
7	1	3948	Pivot Arm, Right - Passengers Side, Upper 120" with Elbow*
Not Shown	2	1184	Pivot Arm, Upper, 120" no Elbow*

Donovan® Miscellaneous Replacement Parts

Reference Number	Quantity Required	Part Number	Description
Not Shown	2	116	Side Mount Extension Spring, 25"
Not Shown	2	304	Side Mount Extension Spring, 32"
Not Shown	1	427	Left - Drivers Side Replacement Spring for 7800 Series
Not Shown	1	537	Right - Passengers Side Replacement Spring for 7800 Series
Not Shown	1	145	3/4" Stamped Steel Flange Bearing, 3-1/4" C.D.

Side Mount Extension Spring, 25"
Part # 116 Ref # Not Shown



1" Stamped Steel Flange Bearing,
3-1/4" C.D. Part # 3346 Ref # 12



Replacement Springs for 7800 Series
L-DS # 427/ R-PS # 537



3/4" Stamped Steel Flange Bearing
3-1/4" C.D. Part # 145 Ref # NA

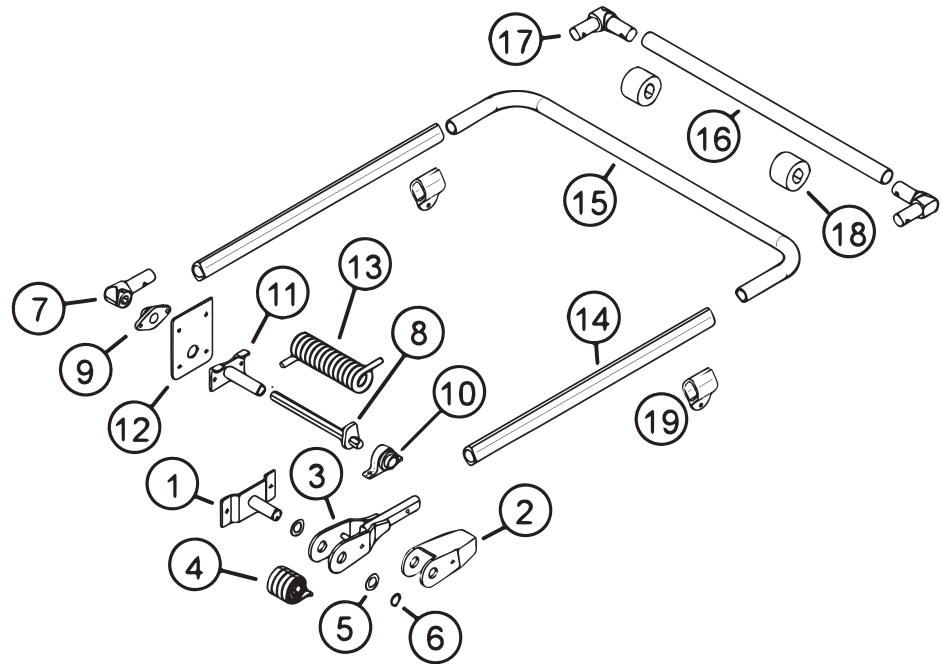


*For 32" Extension Spring See Above

Donovan®, is a registered trademark of Shur-Co, LLC

*Indicates oversized items, and over length shipping rates apply.

Replacement Parts for Mountain Tarp



Mountain Tarp Side Mount Replacement Parts

Reference Number	Quantity Required	Part Number	Description
1	2	K0256	4 Spring Mounting Bracket
1	2	K0257	5 Spring Mount Bracket
2	2	K0134A	4 Spring Arm Connector Casting
3	2	K0134B	4 Spring Lower Plug
3	2	K0134	5 Spring Lower Plug
4	8-10	K0199	Side Mount Spiral Spring
5	4	14434	Brass Bushing
6	2	K0258	Snap Ring
Not Shown	1	K0260	5-Spring Clock Spring Assembly Left - Drivers Side
Not Shown	1	K0261	5-Spring Clock Spring Assembly Right - Passengers Side

REPLACEMENT PARTS

4 Spring Arm Connector Casting
Part # K0134A Ref # 2



5 Spring Lower Plug
Part # K0134 Ref # 3



Crossover Elbow
Part # K0424E Ref # 17



Donut for Steel Crossover, 4-1/2"
Part # K0420D Ref # 18



All Manufacturers' names, numbers, symbols, and descriptions are used for reference purposes only, and it does not imply that any part listed is the product of these manufactures.

Mountain Tarp Side / Under Mount Replacement Parts

Reference Number	Quantity Required	Part Number	Description
7	2	K0416N	Hex Arm Connector
8	2	K0536C	Chrome Hex C/R w/Clip 12"
8	2	K0522C	Chrome Hex C/R w/Clip 14.5"
8	2	K0536	Cold Roll w/ clip, total length: 12"
8	2	K0522	Cold Roll w/ clip, total length: 19"
8	2	K0524	Cold Roll w/ clip, total length: 24"
8	2	K0525	Cold Roll w/ clip, total length: 27"
8	2	K0631 & K0531	Cold Roll w/ clip, total length: 31"
8	2	K0526	Cold Roll w/ clip, total length: 54"
8	2	K0522C	Chrome Hex C/R w/ Clip 14.5"
8	2	K0537C	Hex Shaft, total length: 19"
8	2	K0538	Hex Shaft, total length: 24"
8	2	K0539	Hex Shaft, total length: 27"
9	2	K0515	1" Round Cast Iron Flange Bearing, 3-57/64" C.D.
9	2	K0515H	7/8" Hex Cast Iron Flange Bearing, 3-57/64" C.D.
10	2	K0520	1" Round Cast Iron Pillow Block Bearing, 4-1/8" C.D.
10	2	K0520H	7/8" Hex Cast Iron Flange Bearing, 4-1/8" C.D.
11	2	K0193	Hex Spring Holder
12	2	K0192	Spring Plate - Steel
13	1	K0502	Spring 5/8" 3300 Right - Passengers Side
Not Shown	1	K0501	Spring 5/8" 3300 Left - Drivers Side

Mountain Tarp Arm Replacement Parts

Reference Number	Quantity Required	Part Number	Description
14	2	K0405	Standard Arm 10' *
14	2	K0407	Standard Arm 12' *
14	2	K0409	Standard Arm 14' *
14	2	K0411	Standard Arm 16' *
14	2	K0414E	Standard Arm 20' *
Not Shown	2	-BA	Add 30 Degree Bend in any Arm, per bend
14	2	KS6251E	Teardrop Arm 24', cannot be bent *
15	1	K0420	Steel Crossover 102" Wide for 96" Wide Trailer
15	1	K0422	Steel Crossover 108" Wide for 102" Wide Trailer
16	1	K0424P	Aluminum Crossover, 1-1/2" x 8'6"
17	2	K0424E	Crossover Elbow
18	2	K0420D	4-1/2" Black Donut for Steel Crossover
18	2	K0424D	4-1/2" Long Black Donut for Aluminum Crossover
19	2	K0125A	Arm Sleeve with Tab Only

5-Spring Clock Spring Assembly
L-DS K0260, R-PS K0261



Underbody Spring Assembly
L-DS K0208 & R-PS K0207



Hex Spring Holder
Part # K0193



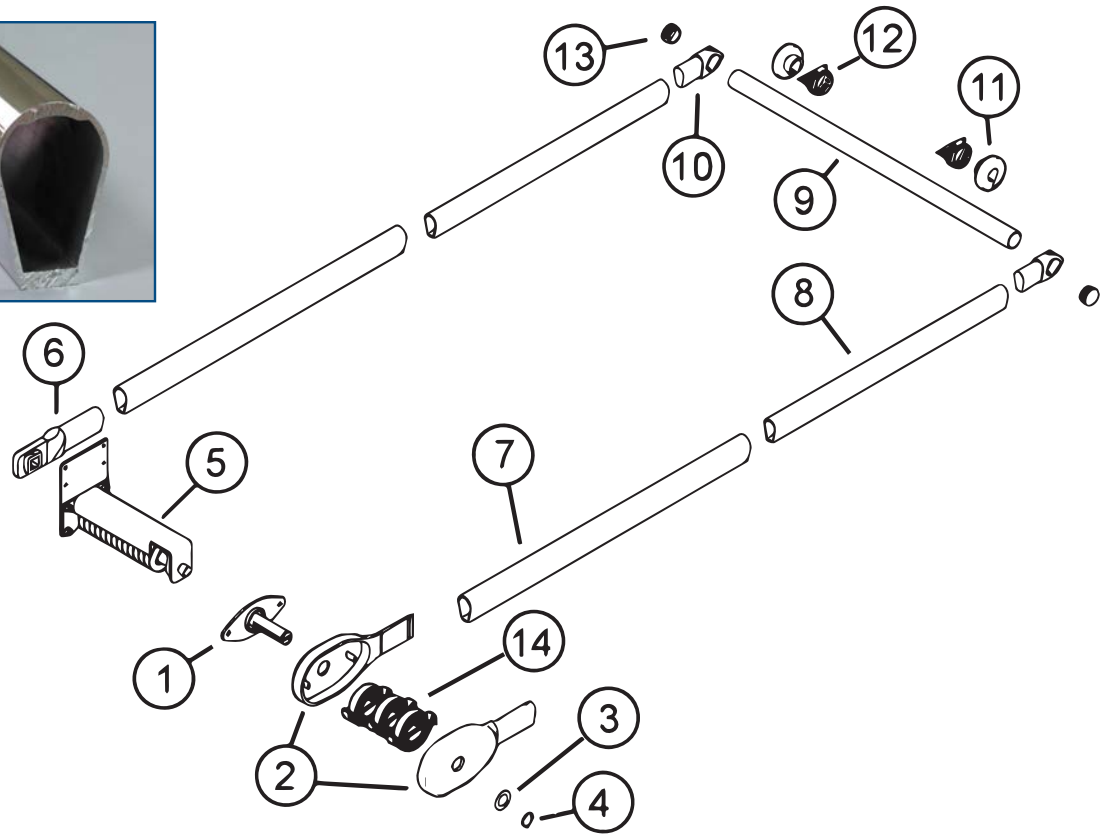
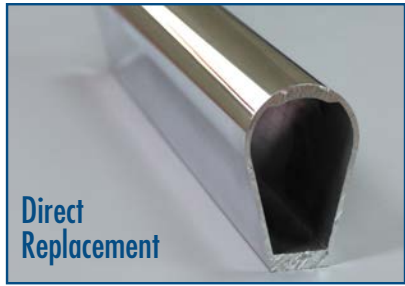
Hex Arm Connector
Part # K0416N



Ref # 7

*Indicates oversized items, and over length shipping rates apply.

Replacement Parts for Aero®



Aero® PowerPack Replacement Parts

Reference Number	Quantity Required	Part Number	Description
1	2	0311-860237	Mounting Bracket for Spring
2	2	0311-964022	Powerpack Casting Kit
3	4	0820-680411	1-1/4" Flat Washer
4	2	0311-860902	Retaining Ring, 1-1/4"
14	6	0715-619550	Spring Side Mount, Double Torsion

REPLACEMENT PARTS

Mounting Bracket Spring
Part # 0311-860237



Powerpack 3 Spring Assembly, Single Side
Part # 0311-960389



Spring Side Mount, Double Torsion
Part # 0715-619550



Undermount Spring Assembly 5/8" P.S.
Part # 0311-960347



All Manufacturers' names, numbers, symbols, and descriptions are used for reference purposes only, and it does not imply that any part listed is the product of these manufactures.

Aero® Undermount Spring Components

Reference Number	Quantity Required	Part Number	Description
5	1	0311-960347	U.B. Spring Assembly 5/8" Right - Passengers Side
Not Shown	1	0311-960346	U.B. Spring Assembly 5/8" Left - Drivers Side
6	2	0311-864103	End Fitting E/C

Aero® Swing Arm Replacement Parts

Reference Number	Quantity Required	Part Number	Description
7	2	0311-861802	10' - 13' Swing Arm Lower, 62"
7	2	0311-861803	14' - 21' Swing Arm Lower, 89"
7	2	0311-861804	22' - 25' Swing Arm Lower, 123" *
7	2	0311-861805	26' - 28' Swing Arm Lower, 150" *
7	2	0311-861806	29' - 32' Swing Arm Lower, 187" *
7	2	0311-861807	33' - 40' Swing Arm Lower, 215" *
7	2	0311-861908	41' - 49' Swing Arm Lower, 240" *
8	2	0311-861812	Swing Arm Upper, 54"
8	2	0311-861824	Swing Arm Upper Bent, 54"
8	2	0311-863615	Swing Arm Upper, 132" *
9	1	0311-860706	Cross Arm Rear 107.5" Wide, 14ga Steel
10	2	0311-861151	Arm End – Steel
Not Shown	2	0311-863014	Teardrop Upper Corner
Not Shown	1	0311-860530	Aero Legacy Teardrop Cross Tube – 98"
Not Shown	1	0311-860531	Aero Legacy Teardrop Cross Tube – 104"
Not Shown	1	0311-860532	Aero Legacy Teardrop Cross Tube – 108"
11	2	13941	Rubber Tarp Centering Flange
12	2	13913	Tarp Collar Clamp
13	2	0311-862135	Plug End 1-3/4" Dia Tube
Not Shown	1	15679	Tarp Centering Spring Kit

Aero® Miscellaneous Replacement Parts

Reference Number	Quantity Required	Part Number	Description
Not Shown	1	0710-602155	1" Stamped Steel Flange Bearing, 3-1/4" C.D.
Not Shown	1	0311-980042	Double Arm 10' - 18' System Length*
Not Shown	1	0311-980043	Double Arm 19' - 24' System Length*
Not Shown	1	0311-962278	Undermount Spring Kit, Both Sides Included

End Fitting E/C

Part # 0311-864103



Steel Arm End

Ref # 6 Part # 0311-861151



Rubber Tarp Centering Flange

Ref # 10 Part # 13941



Teardrop Upper Corner

Part # 0311-863014 Ref # N/A



Aero® is a registered trademark of the Aero Industries, Inc. *Indicates oversized items, and over length shipping rates apply.



Tarp Motors

US Tarp® Description Part #	Roll-Rite® Part #	Donovan® Part #	Mountain Part #	Aero® Part #	Page #	Ref #
13655 Bulletproof Slim 12 Volt Motor, Chrome Cover	10310	61G / 61X	K0170S	0755-623457-SQ	17	N/A
13732 Standard Bulletproof, 60:1		61G	K0170S	0755-623474	17	N/A
13957 Standard Bulletproof, 90:1	10120	61G	K0170TS	0755-623474	17	N/A
15133 Bulletproof HD, 90:1	10120	4422	K0170TS		17	N/A
11248 Powerhouse Heavy Duty Tarp Motor	10120	4422	K0170TS		17	N/A

Electrical Replacement Parts

US Tarp® Description Part #	Roll-Rite® Part #	Donovan® Part #	Mountain Part #	Aero® Part #	Page #	Ref #
11156 40 Amp Circuit Breaker		1856	K018440		18	N/A
13720 50 Amp Circuit Breaker			K0184	0755-623504	18	N/A
12250 EZ Switch Kit		1495	K0176Q	0755-962131	18	N/A
13994 EZ Switch Relay	10698	1464	K0176M	0755-623560	18	N/A
14243 Aluminum Switch Bracket	10390	1532			N/A	N/A
13979 Rocker Switch	19300	1897	K0176SO	0755-962102	18	N/A
11279 8 Gauge Dual Conductor Wire	100743	2141			N/A	N/A
11147 6 Gauge Dual Conductor Wire	11330		K0146	0755-626535	18	N/A
14885 4 Gauge Dual Conductor Wire	11330	672			N/A	N/A
12415 18 ga. 3-Conductor Wire	11410				N/A	N/A
11264 Dual Conductor Plug Set - Vertical	12760	3848	1266		18	N/A
14566 Dual Conductor Plug Set - Horizontal			K0173	0755-626453	18	N/A
11479 Rotary Switch Kit		85N	ETC5014	0311-962531	18	N/A
11129 Rotary Switch		600	K0176	0755-623456	18	N/A
14995 Trailer Contact Plate	101736	4241	K0141	0755-960150	18	N/A

Tarp Bow / Tension Hoop Assemblies

US Tarp® Description Part #	Roll-Rite® Part #	Donovan® Part #	Mountain Part #	Aero® Part #	Page #	Ref #
12372 Tension Hoop Assembly		3976	PIOH001		5	N/A
7670 Aluminum Tarp Bow Set w/ 105-1/2" Cross Tube	76700				18	N/A
7670 Aluminum Tarp Bow Set w/ 105-1/2" Cross Tube	76720				18	N/A
7671 Tension Bow Assembly	76710				5	N/A

Cable System Replacement Parts

US Tarp® Description Part #	Donovan® Part #	Mountain Part #	Aero® Part #	Page #	Ref #
14782 Square Bow Ends for Cable Bows	1744			35	N/A
13810 Standard 98" width & 12" Rise Tarp Bow with Standard Sliders		Z5001K		35	4
14707 Aluminum Front Mounting Assembly, 95" length standard 2164		Z1017	1111-860538	35	1
14291 Aluminum Wind Deflector, 95" length standard		Z1041	1111-962211	35	2
14288 Steel Tarp Tension Bar, 95" length standard	2109	Z1010	1111-860913	35	3
14786S Rear Cable Mount Asm, Steel	1988	Z7000K	1111-960311 (960312)	35	8
14786A Rear Cable Mount Asm, Aluminum	1989	Z7001K	1111-960311 (960312)	35	8
14290 Cable Clips	4100cc	Z1015	0850-603755 (0510 & 0564)	35	10
11140 Chain Crank Assembly for Cable System	2105	Z1014C	1111-962205	35	12
11285 # 40 Chain with Master Link - 12' Length	1115	Z2007	0720-603557	35	N/A
14675 42-Tooth Sprocket	4109-7	Z1003	0750-619591 (9595)	35	13
14674 7-inch Front Pulley	2114	Z1001	1111-964011	35	14
14287 1" Pulley Shaft, 103" length	2127	Z1004	1111-860554	35	15
14533 1" Dia. Pillow Block Bearing	4112	K0520		35	16
14289 1/4" Galvanized Steel Cable, per ft.	4100		1111-603131 (32, 33, & 34)	35	N/A
14907 1/4" Stainless Steel Cable, per ft.	4100ss	Z1014		35	N/A
14242 Anti Lift Kit	1099		1111-960340 (960342)	35	6 & 7

All Manufacturers' names, numbers, symbols, and descriptions are used for reference purposes only, and it does not imply that any part listed is the product of these manufactures.

Tarp Spool Replacement Parts

US Tarp® Part #	Description	Roll-Rite® Part #	Donovan® Part #	Mountain Part #	Aero Part #	Page #	Ref #
11211	Aluminum Tarp Spool Housing, 92" width	36150			0311-961962	22	3
11210	Aluminum Tarp Spool Housing, 98" width	36160			0311-961965	22	3
11286	Aluminum Tarp Spool Housing, 104" width	36170				22	3
14824	Open Top Aluminum Housing		3032	K0101SS	0311-961989	22	2
11200	2" Heavy Duty Aluminum Tarp Axle, 101-5/8"		2365	K0174	0311-961302	22	6
14939	91" Pre-Threaded Tarp Axle w/ Stub Shaft	31020			0311-961300	N/A	N/A
14940	97" Pre-Threaded Tarp Axle w/ Stub Shaft	31030			0311-961300	N/A	N/A
14941	103" Pre-Threaded Tarp Axle w/ Stub Shaft	31040			0311-961302	N/A	N/A
11139	3/4" Axle Bearing	31050	1752	K0187		22	10
11201	Spool Shaft, 5"	10160	2838	K0179A		22	9
11143	Rubber Bumper for Tarp Spool Bracket	36300				22	12
11209	Aluminum Housing Support Braces	36850		K0120		22	21
11380	Wind Deflector 97"	36360				22	5
11208	Wind Deflector, 103"	36350				22	5
11295	Aluminum Tarp Spool Bracket w/ bumper	36340	3270			22	13
11668	Ground Level Crankbox		441	K0340		22	17
12357	Upper 18-Tooth Sprocket & Shaft		2403	K0105A		22	16
11285	#40 Chain with Master Link, 12ft		793	K0220		22	N/A
12230	Steel Chain Guard		114	K0201		22	18

Pivot Replacement Parts

US Tarp® Part #	Description	Roll-Rite® Part #	Donovan® Part #	Mountain Part #	Aero® Part #	Page #	Ref #
11183	3-Spring Pivot Pin	45330				19	1
11132	4-Spring Pivot Pin	45340		K0256		19	1
11272	5-Spring Pivot Pin	45350		K0257		19	1
11121	Spiral Torsion Spring	See pg. 41	2416	K0199		19	3
11141	Stainless Steel Bushing for Pivot Pin	47010	2833	K0283		19	4
11142	External Retaining Ring for Pivot Pin	47000	2834	K0258		19	5

Cab Level Spring Return Replacement Parts

US Tarp® Part #	Description	Donovan® Part #	Mountain Part #	Aero® Part #	Page #	Ref #
13402A	Adjustable Spring Return Roller Assembly	99	PT217	0321-968006 (08 & 09)	46	2
14988	1/2" Truck Rope Black/Orange, Per Foot	162	PT109	0321-961115	N/A	N/A
14581	Aluminum Rear Pullbar Assembly	105	PT205	0321-967009	44	14
12282	J-Hook	62	PT218	0730-612360	N/A	N/A
11661	Fold-away Crank Handle for Cab Level	4128	K0330L	0311-961089	44	6
13371	Steel 3-Hole Mounting Bracket	4155	LDSCEP	0311-863395	44	5

Bulletproof Arms Replacement Parts

US Tarp® Part #	Description	Donovan Part #	Mountain Part #	Aero Part #	Page #	Ref #
13633	Aluminum Bulletproof Arm, 168" Length *	1473	K0409		21	9
13722	Aluminum Bulletproof Arm, 192" Length *		K0411		21	9
13723	Aluminum Bulletproof Arm, 240" Length *	3335	K0414E		21	9
14521	Bulletproof Cross Tube, Steel for 96" Wide		K0420		21	10
14522	Bulletproof Cross Tube, Steel for 102" Wide		K0422		21	10
13602	Bulletproof Aluminum Cross Tube	1076			21	13
13373	Bulletproof Upper Arm Casting	1888			21	12
13632	3" Rubber Tarp Centering Flange	2285	K0420D		21	11

Roll-Rite®, is a registered trademark of the Roll Rite Corporation, Donovan®, is a registered trademark of Shur-Co, LLC, & Aero®, is a registered trademark of Aero Industries, Inc.



FEATURES:

- Please use the Cable Tarp System ordering form when ordering systems or replacement tarps.
- Standard bow sizes are 98" with 12" rise and 104" with 12" rise, custom sizes and rises are available for an additional cost.
- All kits are standard with front roller tube, pillow block bearings, 7" front pulleys, aircraft cable, anti-lift kits, tension pulleys, bows, and our standard cable bow end.
- Electric Cable Systems less than 30' will have a Direct Drive Dual Shaft Tarp Motor, any kit exceeding 30' will have a Keyway Tarp Motor with Chain and Sprocket gear reduction.
- **Aluminum Front Mounting Assembly and Wind Deflectors are not included in systems. See your sales rep for details.**

**Bulletproof Dual Shaft
Tarp Motor (90:1)
Rated for 12' – 30'**

**Bulletproof Motor w/ Keyway
in Shaft (90:1)
Rated for 31' - 40'**



OPTIONS

Polished Aluminum Wind Deflector
Part # 14291 or Part # 14921-101
for 101" wide



Aluminum Front Mounting Bar
Part # 14707 or Part # 15201
for 101" wide



Dual Conductor Plug Sets
Vert # 11264 & Horizontal # 14566



**Powerhouse Heavy Duty
Tarp Motor Upgrade**
Add -PH to system part #



Manual Crank Cable Tarp Systems with Tarp

Length	Vinyl Part#	Mesh Part#	Length	Vinyl Part#	Mesh Part#
16'	CAB16BV	CAB16BM	30'	CAB30BV	CAB30BM
18'	CAB18BV	CAB18BM	32'	CAB32BV	CAB32BM
20'	CAB20BV	CAB20BM	34'	CAB34BV	CAB34BM
22'	CAB22BV	CAB22BM	36'	CAB36BV	CAB36BM
24'	CAB24BV	CAB24BM	38'	CAB38BV	CAB38BM
26'	CAB26BV	CAB26BM	40'	CAB40BV	CAB40BM
28'	CAB28BV	CAB28BM			

Electric Cable Tarp Systems with Tarp

Length	Vinyl Part#	Mesh Part#	Length	Vinyl Part#	Mesh Part#
16'	ECAB16BV	ECAB16BM	30'	ECAB30BV	ECAB30BM
18'	ECAB18BV	ECAB18BM	32'	ECAB32BV	ECAB32BM
20'	ECAB20BV	ECAB20BM	34'	ECAB34BV	ECAB34BM
22'	ECAB22BV	ECAB22BM	36'	ECAB36BV	ECAB36BM
24'	ECAB24BV	ECAB24BM	38'	ECAB38BV	ECAB38BM
26'	ECAB26BV	ECAB26BM	40'	ECAB40BV	ECAB40BM
28'	ECAB28BV	ECAB28BM			

Cable System Replacement Tarps

*102" wide tarps for 96" wide bodies, and 108" wide tarps for 102" wide bodies

Length	102" Vinyl Part#	108" Vinyl Part#	Length	102" Vinyl Part#	108" Vinyl Part#
16'	102-16-BV-CABLE	108-16-BV-CABLE	16'	102-16-BM-CABLE	108-16-BM-CABLE
18'	102-18-BV-CABLE	108-18-BV-CABLE	18'	102-18-BM-CABLE	108-18-BM-CABLE
20'	102-20-BV-CABLE	108-20-BV-CABLE	20'	102-20-BM-CABLE	108-20-BM-CABLE
22'	102-22-BV-CABLE	108-22-BV-CABLE	22'	102-22-BM-CABLE	108-22-BM-CABLE
24'	102-24-BV-CABLE	108-24-BV-CABLE	24'	102-24-BM-CABLE	108-24-BM-CABLE
26'	102-26-BV-CABLE	108-26-BV-CABLE	26'	102-26-BM-CABLE	108-26-BM-CABLE
28'	102-28-BV-CABLE	108-28-BV-CABLE	28'	102-28-BM-CABLE	108-28-BM-CABLE
30'	102-30-BV-CABLE	108-30-BV-CABLE	30'	102-30-BM-CABLE	108-30-BM-CABLE
32'	102-32-BV-CABLE	108-32-BV-CABLE	32'	102-32-BM-CABLE	108-32-BM-CABLE
34'	102-34-BV-CABLE	108-34-BV-CABLE	34'	102-34-BM-CABLE	108-34-BM-CABLE
36'	102-36-BV-CABLE	108-36-BV-CABLE	36'	102-36-BM-CABLE	108-36-BM-CABLE
38'	102-38-BV-CABLE	108-38-BV-CABLE	38'	102-38-BM-CABLE	108-38-BM-CABLE
40'	102-40-BV-CABLE	108-40-BV-CABLE	40'	102-40-BM-CABLE	108-40-BM-CABLE

* All part numbers are for 98" wide bows, please use the -104 suffix to make any cable part numbers set up for 104" bow

OPTIONS

Set up for 104" Tarp bows,
add -104 suffix to any part

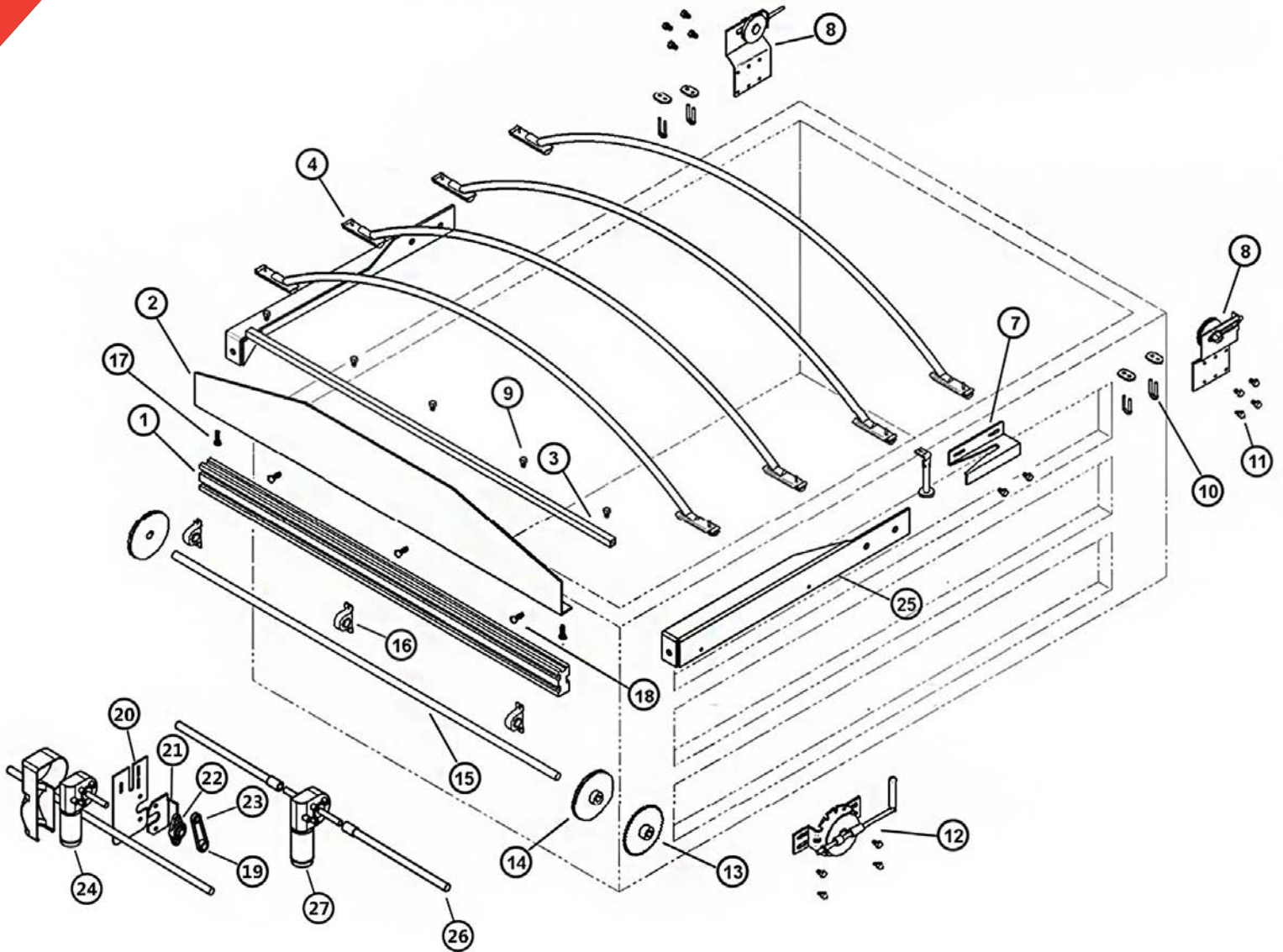


Custom bow sizes,
Add -C to any part #



Square tarp bow end upgrade,
Add -SQ to any system part #





Replacement Parts

90:1 Bulletproof Tarp Motor
Part # 13957-KEYWAY REF # 24

Chain Crank Assembly
Part # 11140

#40 Chain / Master Link - 12'
REF # 12 Part # 11285 REF # N/A

42 Tooth Sprocket - #40
Part# 14675 REF # 13



Cable System Replacement Parts

Reference Number	Quantity Required	Part Number	Description
1	1	14707	Aluminum Front Mounting Bar, 95" length standard
1	1	15201	Aluminum Front Mounting Bar, 101" length standard
2	1	15291	Aluminum Wind Deflecto , 95" length standard
2	1	15291-101	Aluminum Wind Deflecto , 101" length
3	1	14288	Steel Tarp Tension Bar, 95" length standard
4	Varies	13810	Standard 98" width & 12" rise Bow with Standard Sliders
4	Varies	15188	104" Width & 12" Rise Bow with Standard Sliders
4	Varies	14953	Custom Width & Rise Cable Bow with Bottom Sliders
4	Varies	14954	Custom Width & Rise Cable Bow with Square Sliders
5	2	14240	Anti-Lift Posts
6	1	14973R	Aluminum Anti-Lift Plate - Right - Passengers Side
7	1	14973L	Aluminum Anti-Lift Plate - Left - Drivers Side
5,6,7	1	14242	Anti-lift Assembly Kit 6"
5,6,7	1	14242SHORT	Anti-lift Assembly Kit 4"
8	2	14786S	Rear Cable Mount Asm, Steel
8	2	14786A	Rear Cable Mount Asm, Aluminum
9	5	14848	1/4"-14 x 3/4" Self Drilling Screw
10	4	14290	Cable Clips
11	16	14882	3/8" x 1-1/2" Self Tap Screws
12	1	11140	Chain Crank Assembly for Cable System
13	1	14675	42-Tooth Sprocket
Not Shown	1	11285	#40 Chain with Master Link - 12 ft length
14	2	14674	7-inch Front Pulley
15	1	14287	1" Pulley Shaft, 103" length
16	3	14533	1" Round Cast Iron Pillow Block Bearing, 4-1/8" C.D."
17	2	14874	1/2"-13 x 3" Carriage Bolt
18	3	14991	1/2"-13 x 2-1/2" Carriage Bolt
19	1	14874	18-Tooth Sprocket for 1" Shaft
20	1	14914	Motor Mounting Plate
21	1	14985	Flange Bearing Mounting Plate
Not Shown	1	14872	#50 Roller Chain with Master Link - 1 ft length
22	1	14133	1" Round Cast Iron Flange Bearing, 3-57/64" C.D.
23	1	14873	9-Tooth Sprocket for 3/4" Shaft
24	1	13957-KEYWAY	90:1 Bullet Proof Tarp Motor
Not Shown	Varies	14289	1/4" Galvanized Steel Cable, per ft
Not Shown	Varies	14907	1/4" Stainless Steel Cable, per ft
25	1	15674R	Right - Passengers Side Aluminum Front Cable Ramp
25	1	15674L	Left - Drivers Side Aluminum Front Cable Ramp
25	1	15674	Front Mounting Cable Ramp Kit
26	2	15631	1" Pulley Shaft w/ Motor Couplers 50"
27	1	13957DUAL	90:1 Dual Shaft Bullet Proof Tarp Motor

REPLACEMENT PARTS

7" Front Pulley
Part # 14674



REF # 14

1/4" Galvanized Steel Cable, Per Ft.
Part # 14289



REF # N/A

Rear Cable Mount Assembly - Aluminum
Part # 14786A



REF # 8

Aluminum Anti-Lift Kit
Part # 14242 REF # 5,6, & 7



US Tarp® Ordering Form Required for Quoting, and Ordering



SIDE ROLL AGRICULTURE TARP SYSTEMS

- Fits Applications from 10' to 54'.
- Up to 102" Wide Body.
- 18oz Black Vinyl Tarp Standard.
- Pin-Less Crank Retainer Kit w/7" Offset.
- Extruded Aluminum Tarp Stops.

Side Roll Agriculture System Part Numbering System

A G I D B V - 2 2 B V - A C S - A E C

Base System Part #

Tarp Options
(18oz Black Vinyl Standard)

Tarp Stop Options
(Aluminum Extruded Tarp Stops Standard)

End Cap Options
(No End Caps Standard)

Length	Part #	Tarp Options	Tarp Stop Options	End Cap Options
Up to 10'	AG10BV	-22BV	-ACS	-FEC
11' - 15'	AG15BV	22 Oz Black Vinyl Tarp	Aluminum Cast Tarp Stops	Fabric End Caps
16' - 20'	AG20BV			
20' - 25'	AG25BV			
26' - 30'	AG30BV		-AC6	-AEC
31' - 35'	AG35BV		Aluminum Cast Tarp Stops (6" Offset)	Aluminum Universal End Caps
36' - 40'	AG40BV			Front & Back
41' - 45'	AG45BV			
46' - 50'	AG50BV			
51' - 54'	AG54BV			

Standard Tarp Width for 96" System is 123" and 102" System is 129"

PREMIUM BELT AND RACHET TARP SYSTEM

- Fits Applications from 10' to 54'.
- Up to 102" Wide Body.
- 18oz Black Vinyl Tarp Standard.
- Heavy Duty Ratchet Strap Kits Included.
- Crank Retainer Kit.
- Quick Release Tarp Stops.

Premium Belt and Ratchet Tarp Part Numbering System



Base System Part #		Tarp Options (18oz Black Vinyl Standard)		Tarp Stop Options (Aluminum Extruded Tarp Stops Standard)	End Cap Options (No End Caps Standard)
Length	Part #	Length	Part #	-22BV	-ACS
10' - 15'	PBR15	36' - 40'	PBR40	22 Oz Black Vinyl Tarp	Aluminum Cast Tarp Stops
16' - 20'	PBR20	41' - 45'	PBR45		
20' - 25'	PBR25	46' - 50'	PBR50		
26' - 30'	PBR30	51' - 54'	PBR54		-FEC
31' - 35'	PBR35				-AEC
				-AC6	Aluminum Universal End Caps Front & Back
				Aluminum Cast Tarp Stops (6" Offset)	

UNIVERSAL AGRICULTURE REPLACEMENT TARPS

Final Tarp Length, Ft	18 Oz Black Vinyl Up to 123" Wide	180z Black Vinyl Up to 129" Wide	22 Oz Black Vinyl Up to 123" Wide	22 Oz Black Vinyl Up to 129" Wide	Final Tarp Length, Ft	18 Oz Black Vinyl Up to 123" Wide	180z Black Vinyl Up to 129" Wide	22 Oz Black Vinyl Up to 123" Wide	22 Oz Black Vinyl Up to 129" Wide
6	123-6-BV-AG	129-6-BV-AG	123-6-22BV-AG	129-6-22BV-AG	30	123-30-BV-AG	129-30-BV-AG	123-30-22BV-AG	129-30-22BV-AG
7	123-7-BV-AG	129-7-BV-AG	123-7-22BV-AG	129-7-22BV-AG	31	123-31-BV-AG	129-31-BV-AG	123-31-22BV-AG	129-31-22BV-AG
8	123-8-BV-AG	129-8-BV-AG	123-8-22BV-AG	129-8-22BV-AG	32	123-32-BV-AG	129-32-BV-AG	123-32-22BV-AG	129-32-22BV-AG
9	123-9-BV-AG	129-9-BV-AG	123-9-22BV-AG	129-9-22BV-AG	33	123-33-BV-AG	129-33-BV-AG	123-33-22BV-AG	129-33-22BV-AG
10	123-10-BV-AG	129-10-BV-AG	123-10-22BV-AG	129-10-22BV-AG	34	123-34-BV-AG	129-34-BV-AG	123-34-22BV-AG	129-34-22BV-AG
11	123-11-BV-AG	129-11-BV-AG	123-11-22BV-AG	129-11-22BV-AG	35	123-35-BV-AG	129-35-BV-AG	123-35-22BV-AG	129-35-22BV-AG
12	123-12-BV-AG	129-12-BV-AG	123-12-22BV-AG	129-12-22BV-AG	36	123-36-BV-AG	129-36-BV-AG	123-36-22BV-AG	129-36-22BV-AG
13	123-13-BV-AG	129-13-BV-AG	123-13-22BV-AG	129-13-22BV-AG	37	123-37-BV-AG	129-37-BV-AG	123-37-22BV-AG	129-37-22BV-AG
14	123-14-BV-AG	129-14-BV-AG	123-14-22BV-AG	129-14-22BV-AG	38	123-38-BV-AG	129-38-BV-AG	123-38-22BV-AG	129-38-22BV-AG
15	123-15-BV-AG	129-15-BV-AG	123-15-22BV-AG	129-15-22BV-AG	39	123-39-BV-AG	129-39-BV-AG	123-39-22BV-AG	129-39-22BV-AG
16	123-16-BV-AG	129-16-BV-AG	123-16-22BV-AG	129-16-22BV-AG	40	123-40-BV-AG	129-40-BV-AG	123-40-22BV-AG	129-40-22BV-AG
17	123-17-BV-AG	129-17-BV-AG	123-17-22BV-AG	129-17-22BV-AG	41	123-41-BV-AG	129-41-BV-AG	123-41-22BV-AG	129-41-22BV-AG
18	123-18-BV-AG	129-18-BV-AG	123-18-22BV-AG	129-18-22BV-AG	42	123-42-BV-AG	129-42-BV-AG	123-42-22BV-AG	129-42-22BV-AG
19	123-19-BV-AG	129-19-BV-AG	123-19-22BV-AG	129-19-22BV-AG	43	123-43-BV-AG	129-43-BV-AG	123-43-22BV-AG	129-43-22BV-AG
20	123-20-BV-AG	129-20-BV-AG	123-20-22BV-AG	129-20-22BV-AG	44	123-44-BV-AG	129-44-BV-AG	123-44-22BV-AG	129-44-22BV-AG
21	123-21-BV-AG	129-21-BV-AG	123-21-22BV-AG	129-21-22BV-AG	45	123-45-BV-AG	129-45-BV-AG	123-45-22BV-AG	129-45-22BV-AG
22	123-22-BV-AG	129-22-BV-AG	123-22-22BV-AG	129-22-22BV-AG	46	123-46-BV-AG	129-46-BV-AG	123-46-22BV-AG	129-46-22BV-AG
23	123-23-BV-AG	129-23-BV-AG	123-23-22BV-AG	129-23-22BV-AG	47	123-47-BV-AG	129-47-BV-AG	123-47-22BV-AG	129-47-22BV-AG
24	123-24-BV-AG	129-24-BV-AG	123-24-22BV-AG	129-24-22BV-AG	48	123-48-BV-AG	129-48-BV-AG	123-48-22BV-AG	129-48-22BV-AG
25	123-25-BV-AG	129-25-BV-AG	123-25-22BV-AG	129-25-22BV-AG	49	123-49-BV-AG	129-49-BV-AG	123-49-22BV-AG	129-49-22BV-AG
26	123-26-BV-AG	129-26-BV-AG	123-26-22BV-AG	129-26-22BV-AG	50	123-50-BV-AG	129-50-BV-AG	123-50-22BV-AG	129-50-22BV-AG
27	123-27-BV-AG	129-27-BV-AG	123-27-22BV-AG	129-27-22BV-AG	51	123-51-BV-AG	129-51-BV-AG	123-51-22BV-AG	129-51-22BV-AG
28	123-28-BV-AG	129-28-BV-AG	123-28-22BV-AG	129-28-22BV-AG	52	123-52-BV-AG	129-52-BV-AG	123-52-22BV-AG	129-52-22BV-AG
29	123-29-BV-AG	129-29-BV-AG	123-29-22BV-AG	129-29-22BV-AG	53	123-53-BV-AG	129-53-BV-AG	123-53-22BV-AG	129-53-22BV-AG
					54	123-54-BV-AG	129-54-BV-AG	123-54-22BV-AG	129-54-22BV-AG

Tarp Part Numbering System

All prices are for tarps 96" or less. Please call for wider sizes.

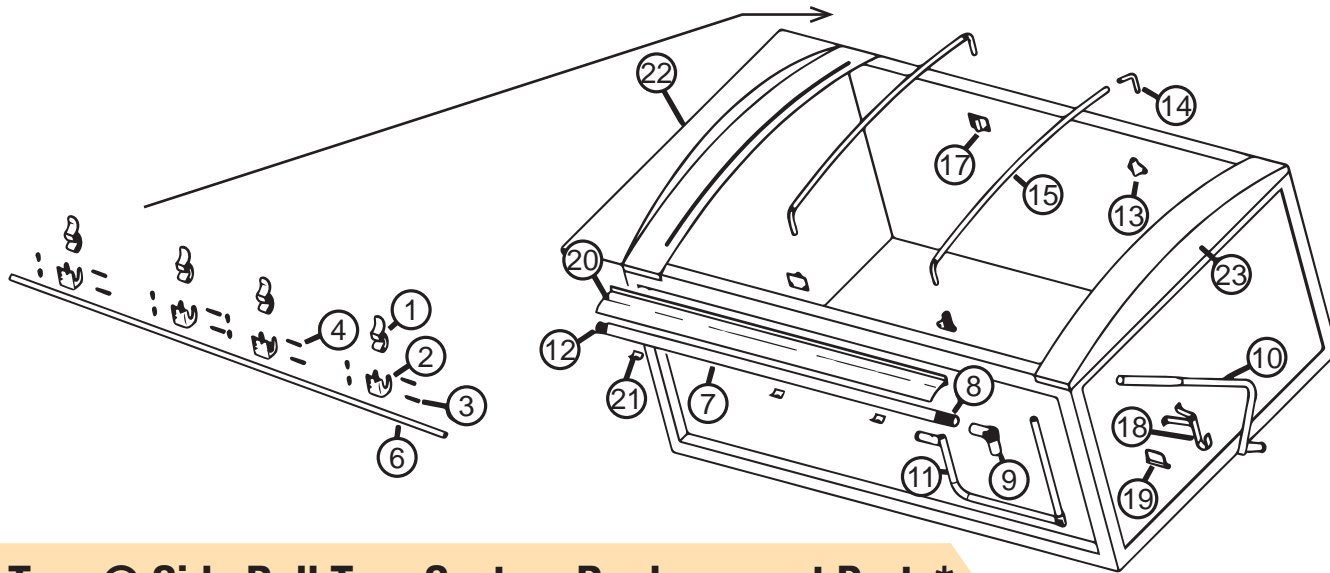


Tarp Width
123" for 96" Bodies
129" for 102" Bodies
Custom Sizes are Available

Tarp Length
Tarp Length in Feet
From 6' - 54'

Material
BV – 18oz Black Vinyl
22BV – 22oz Black Vinyl
Other Materials Available

Tarp Style
AG – Agriculture System Standard
AG-C – Agriculture custom Tarp

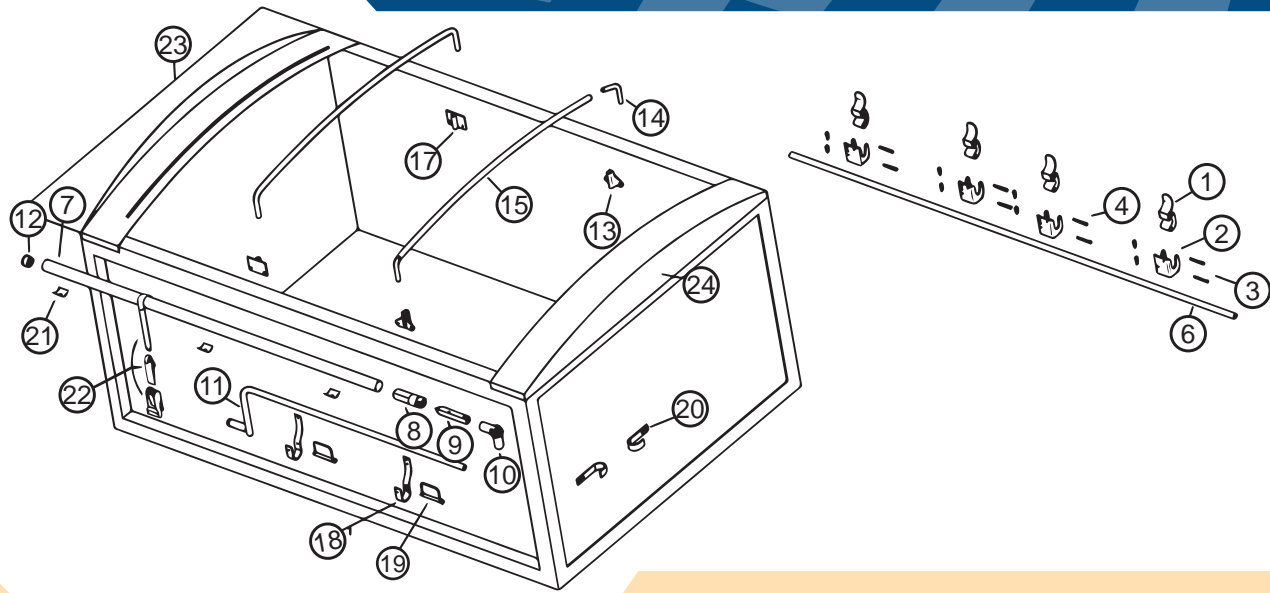


US Tarp® Side Roll Tarp System Replacement Parts*

Reference Number	Quantity Required	Part Number	Description
1	Varies	1100834-EXT	Aluminum (Extruded) Tarp Stop Up Right
1	Varies	1100834-CAST	Aluminum Cast Tarp Stop Up Right
1	Varies	1105168	Aluminum Cast 6" Offset Tarp Stop Up Right
2	Varies	1100833	Tarp Stop Body
3	Varies	1703604	Clevis Pin - 5/16" x 2-7/8"
4	Varies	1704380	Bowtie Cotter Pin
6	Varies	1700049	Fixed Tube - 1-1/8" x 19 ft *
7	Varies	1107058	Roll Tube - 2" x 21 ft w/Spline *
Not Shown	Varies	1107076	Roll Tube Swaged Connector
8	1	1701244	Spline Shaft
9	1	1701243	Splined U-Joint
10	1	1100816	Standard Crank Arm Kit w/80" Extension
Not Shown	1	1100171	Standard Crank Arm - 24"
11	1	1101931	Flex Crank Arm Kit w/40" Extension
11	1	1107918	Flex Crank Arm Kit w/54" Extension
11	1	1107918-C	Flex Crank Arm Custom Length Extension, per foot added to flex crank a m pricing.
12	1	1100138	Roll Tube End Plug
Not Shown	1	1114359	Front Stretch Cord Roll Return Kit
13	Varies	1120836	Single Bow Bracket
14	Varies	1100695	Steel Bow Shank - Low Rise
14	Varies	1106925	Steel Bow Shank - High Rise
15	Varies	1100760	Galvanized Bow - Low Rise 93" to 102"
15	Varies	1117905	Galvanized Bow - High Rise 89" to 95"
15	Varies	1100762	Galvanized Bow - High Rise 96" to 102"
17	Varies	1109110	Aluminum Bow Bracket
Not Shown	Varies	1705324	Aluminum Bracket for Flexbow
Not Shown	Varies	1122932	Steel Bracket for Flexbow
Not Shown	Varies	1705128	Flexbow, 1-3/8" Dia. - 97"
Not Shown	Varies	1705129	Flexbow, 1-3/8" Dia. - 102"
18	2	1107047	Pinless Crank Retainer Kit w/7" Standoff
18	2	1100386	Crank Retainer Kit w/7" Standoff
19	2	1700526	Wire Lock Pin - 3/8" x 2-1/2"
20	Varies	15395	Aluminum Side Mount Latch Plate, 8 ft
20	Varies	15457	Aluminum Side Mount Latch Plate, 21' 6" *
21	Varies	1701354	Plastic U-Clamps
22	1	Varies By Size	Front Aluminum End Cap - Universal
23	1	Varies By Size	Rear Aluminum End Cap Kit - Universal
Not Shown	1	1101685	Ridge Strap Kit W/Anchor-1" x 25'
Not Shown	1	1101686	Ridge Strap Kit W/Anchor-1" x 39'
Not Shown	1	1101687	Ridge Strap Kit W/Anchor-1" x 46'
Not Shown	1	1107068	Ridge Strap Kit w/Anchor - 1" x 56 ft
Not Shown	1	1100783	Ridge Strap Kit W/Anchor-2" x 25'
Not Shown	1	1100784	Ridge Strap Kit W/Anchor-2" x 39'
Not Shown	1	1100774	Ridge Strap Kit W/Anchor-2" x 46'
Not Shown	1	1107069	Ridge Strap Kit w/Anchor - 2" x 56 ft
Not Shown	Varies	1700650	Rubber Strap w/Hooks- 21 inches
Not Shown	Varies	1700682	Box Hook
Not Shown	Varies	1123541	Flexbow - 102" Bow Kit - Steel Bracket
Not Shown	Varies	1123542	Flexbow - 102" Bow Kit - Aluminum Bracket
Not Shown	Varies	1123544	Flexbow - 97" Bow Kit - Steel Bracket
Not Shown	Varies	1123545	Flexbow - 97" Bow Kit - Aluminum Bracket
Not Shown	Varies	15946	Aluminum (EXTRUDED) Tarp Stop w/Mounting Hardware
Not Shown	Varies	1124780	Aluminum (CAST) Tarp Stop w/Mounting Hardware
Not Shown	Varies	1124783	Aluminum (CAST) 6" Offset Tarp Stop w/Mounting Hardware

**Indicates oversized items, and over length shipping rates apply.

All Manufacturers' names, numbers, symbols, and descriptions are used for reference purposes only, and it does not imply that any part listed is the product of these manufactures.



US Tarp ® Belt & Ratchet Tarp System Replacement Parts*

Reference Number	Quantity Required	Part Number	Description
1	Varies	1100834-EXT	Aluminum (Extruded) Tarp Stop Up Right
1	Varies	1100834-CAST	Aluminum Cast Tarp Stop Up Right
1	Varies	1105168	Aluminum Cast 6" Offset Tarp Stop Up Right
2	Varies	1100833	Tarp Stop Body
3	Varies	1703604	Clevis Pin - 5/16" x 2-7/8"
4	Varies	1704380	Bowtie Cotter Pin
6	Varies	1700049	Fixed Tube - 1-1/8" x 19 ft *
7	Varies	1700046	Roll Tube - 2" x 21 ft w/Swage
Not Shown	Varies	1107076	Roll Tube Swaged Connector
8	1	1105033	Roll Tube Square Key Weldment
9	1	1115774	1" Square Connector Key
10	1	1700527	1" U-Joint
11	1	1100461	Offset Crank Arm
12	1	1100138	Roll Tube End Plug
13	Varies	1120836	Single Bow Bracket
14	Varies	1100695	Steel Bow Shank - Low Rise
14	Varies	1106925	Steel Bow Shank - High Rise
15	Varies	1100760	Galvanized Bow - Low Rise 93" to 102"
15	Varies	1117905	Galvanized Bow - High Rise 89" to 95"
15	Varies	1100762	Galvanized Bow - High Rise 96" to 102"
17	Varies	1109110	Aluminum Bow Bracket
Not Shown	Varies	1705324	Aluminum Bracket for Flexbow
Not Shown	Varies	1122932	Steel Bracket for Flexbow
Not Shown	Varies	1705128	Flexbow, 1-3/8" Dia. - 97"
Not Shown	Varies	1705129	Flexbow, 1-3/8" Dia. - 102"
18	2	1101930	Offset J-Hook Crank Retainer
18	2	1100386	Crank Retainer Kit w/7" Standoff
19	2	1700526	Wire Lock Pin - 3/8" x 2-1/2"
20	4	12282	Rope J-Hook
21	Varies	1701354	Plastic U-Clamps
22	Varies	1107225	Strap Hold-Down Kit w/Hook
22	Varies	1106772	Strap Hold-Down Kit w/Hook - 9' Length
23	1	Varies By Size	Front Aluminum End Cap - Universal
24	1	Varies By Size	Rear Aluminum End Cap Kit - Universal
Not Shown	1	1101685	Ridge Strap Kit w/Anchor-1" x 25'
Not Shown	1	1101686	Ridge Strap Kit w/Anchor-1" x 39'
Not Shown	1	1101687	Ridge Strap Kit w/Anchor-1" x 46'
Not Shown	1	1107068	Ridge Strap Kit w/Anchor - 1" x 56 ft
Not Shown	1	1100783	Ridge Strap Kit w/Anchor-2" x 25'
Not Shown	1	1100784	Ridge Strap Kit w/Anchor-2" x 39'
Not Shown	1	1100774	Ridge Strap Kit w/Anchor-2" x 46'
Not Shown	1	1107069	Ridge Strap Kit w/Anchor - 2" x 56 ft
Not Shown	Varies	1700650	Rubber Strap w/Hooks- 21 inches
Not Shown	Varies	1700682	Box Hook
Not Shown	Varies	1123541	Flexbow - 102" Bow Kit - Steel Bracket
Not Shown	Varies	1123542	Flexbow - 102" Bow Kit - Aluminum Bracket
Not Shown	Varies	1123544	Flexbow - 97" Bow Kit - Steel Bracket
Not Shown	Varies	1123545	Flexbow - 97" Bow Kit - Aluminum Bracket
Not Shown	Varies	15946	Aluminum (EXTRUDED) Tarp Stop w/Mounting Hardware
Not Shown	Varies	1124780	Aluminum (CAST) Tarp Stop w/Mounting Hardware
Not Shown	Varies	1124783	Aluminum (CAST) 6" Offset Tarp Stop w/Mounting Hardware

**Indicates oversized items, and over length shipping rates apply.

All Manufacturers' names, numbers, symbols, and descriptions are used for reference purposes only, and it does not imply that any part listed is the product of these manufactures.



Electric Side Dump System with Tarp*

Side Dump Replacement Tarps*

Length	Black Vinyl Part#	Black Mesh Part#	Length	Black Vinyl Part#	Black Mesh Part#
20'	SD20BV	SD20BM	20'	20-SD-BV	20-SD-BM
22'	SD22BV	SD22BM	22'	22-SD-BV	22-SD-BM
24'	SD24BV	SD24BM	24'	24-SD-BV	24-SD-BM
26'	SD26BV	SD26BM	26'	26-SD-BV	26-SD-BM
28'	SD28BV	SD28BM	28'	28-SD-BV	28-SD-BM
30'	SD30BV	SD30BM	30'	30-SD-BV	30-SD-BM
32'	SD32BV	SD32BM	32'	32-SD-BV	32-SD-BM
34'	SD34BV	SD34BM	34'	34-SD-BV	34-SD-BM
36'	SD36BV	SD36BM	36'	36-SD-BV	36-SD-BM
38'	SD38BV	SD38BM	38'	38-SD-BV	38-SD-BM
40'	SD40BV	SD40BM	40'	40-SD-BV	40-SD-BM

- Contact a sales rep for pricing on all other tarp materials.
- Please use the side dump tarping system ordering form, when ordering systems or replacement tarps.
- System requires brand specific mounting bracket that is not included. Please disclose trailer make/model on the ordering form to ensure you will receive the correct brackets.

OPTIONS

Powerhouse Heavy Duty Tarp Motor Upgrade
Add -PH to system part #



Dual Conductor Plug Kits
Vertical # 11264 & Horizontal # 14566



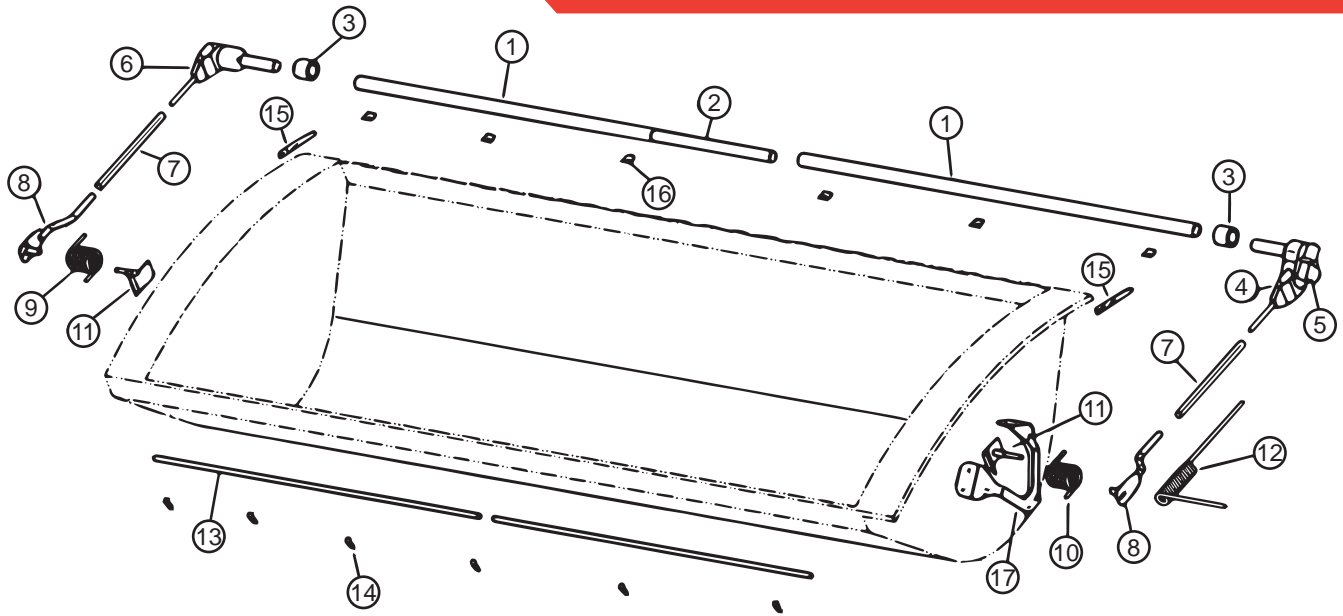
Coiled Wire 15'
Part # 14993 Ref # 12



Complete Coiled Wiring Kit
Vertical Part # 14993-VKIT
Horizontal Part # 14993-HKIT



*Indicates oversized items, one box packaging is not available, and over length shipping rates apply.



Side Dump System Parts

Reference Number	Quantity Required	Part Number	Description
1	2	15090	Aluminum Roll Pipe, 20 ft*
2	1	15091	Aluminum Roll Connector Pipe
3	2	14777	Roller Tube Rubber Grip
4	1	15092	Power Head Assembly
5	1	14920	Superwinch 2.1 HP Motor
6	1	15116	Idler Head Assembly
7	2	15093	Bulletproof Arm, 29-3/4"
8	2	15094	Lower Pivoting Arm
9	1	14776	Spring 3/4" Right - Drivers Side
10	1	14775	Spring 3/4" Left - Passenger Side
11	2	15095	Pivot Pin Assembly
12	1	14993	Coiled Wire, 15 ft
13	2	15096	Stationary Pipe, 10 ft length
14	5	15097	Stationary Pipe Clamps
15	2	15098	Roller Guide Bar
16	5	15099	Nylon U-Clamp
17	1	SMITHCO	Mounting Bracket Kit for SmithCo Trailers
17	2	SMITHCO-1	Single Mounting Bracket for SmithCo Trailers
17	1	CIRCLER	Mounting Bracket Kit for Circle R Trailers
17	2	CIRCLER-1	Single Mounting Bracket for r Circle R Trailers
17	1	JET	Mounting Bracket Kit for Jet Trailers
17	2	JET-1	Single Mounting Bracket for Jet Trailers

All Manufacturers' names, numbers, symbols, and descriptions are used for reference purposes only, and it does not imply that any part listed is the product of these manufactures.

REPLACEMENT PARTS

Idler Head Assembly
Part # 15116

Ref # 6



Lower Pivoting Arm
Part # 15094

Ref # 8



Smith-Co Trailer Mounting Bracket Kit
Part # SMITHCO

Ref # 17



*Indicates oversized items, and over length shipping rates apply.



US Tarp® Cab Level Wind Up Tarping Systems

Complete Tarp System Cost Including the Following Options...

13484	Rear Pull Bar Assembly
13463	103" Wide Wind Deflector
13396	Rear Pull Bar and Wind Deflector

Base System

without wind deflector or housing
Part # 13375

- Fits all dump trailer and truck manufacturers
- Spring loaded break away crank handle.
- 1 1/2" diameter Aluminum extruded tarp axle.
- Steel powder coated mounting brackets and sealed bearings.
- Can be used with tarps up to 40' long.

OPTIONS

Locking Ratchet Assembly
Add Suffix -

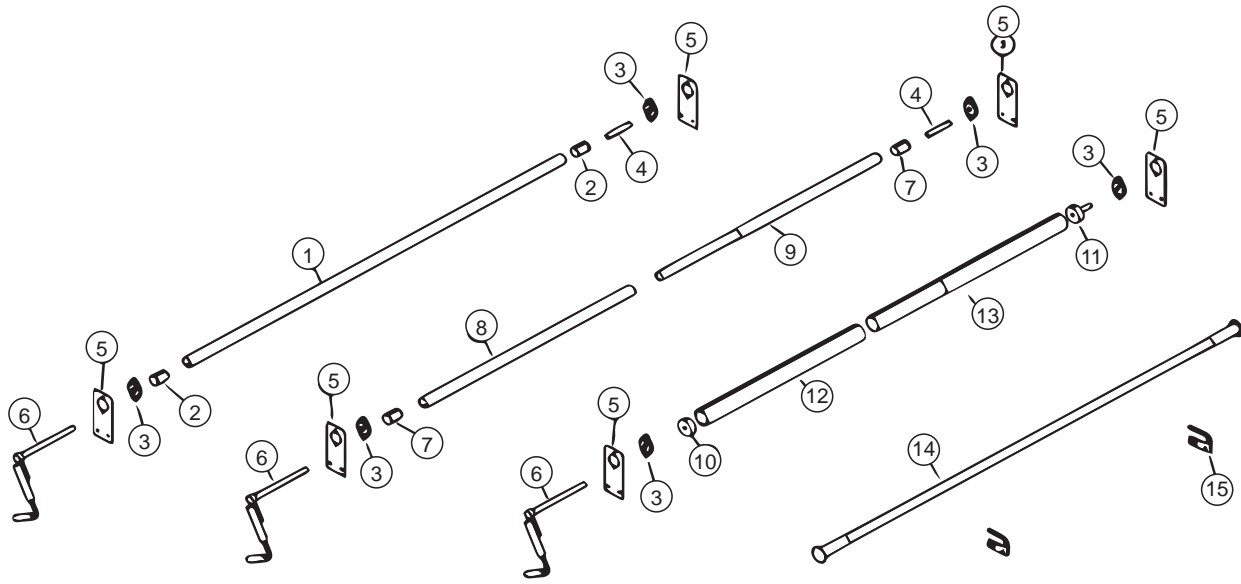


Adjustable Assembled
Tarping System, 2" Roller
Add Suffix -A to any syste



Adjustable Assembled Tarping System,
3" Roller
Add Suffix -A3 to any syste





US Tarp ® Cab Level Wind Up Parts

Reference Number	Quantity Required	Part Number	Description
1	1	13967	1-1/2" Aluminum Tarp Axle, 103" width
2	2	13943	1-1/2" Tarp Axle Cap
3	1	11139	3/4" Axle Bearing
4	1	11201	Spool Shaft, 5"
5	2	13371	Steel 3-Hole Mounting Bracket
6	1	11661	Fold-Away Crank Handle for Cab Level
7	2	12382	2" Tarp Axle Cap
8	1	14861	2" Hollow Tarp Axle, 51" length
9	1	14860	2" Hollow Tarp Axle, 31" length with connector
10	1	13749	3" Tarp Axle Cap, Left - Drivers Side
11	1	13908	3" Tarp Axle Cap, Right - Passengers Side with Spool Shaft
12	1	15519	3" Hollow Tarp Axle, 51" length
13	1	15520	3" Hollow Tarp Axle, 31" length with connector
14	1	14581	Aluminum Rear Pull Bar Assembly, No Rope Kit or Tailgate Latches
14	1	12311	Aluminum Rear Pull Bar Assembly with Rope Kit and Tailgate Latches
15	2	12283	Steel Tailgate Latch
Not Shown	4	12282	Aluminum J Hook
Not Shown	1	14988-KIT	Rope Kit with Bungee and Rings

REPLACEMENT PARTS

Fold Away Crank Handle
Part # 11661

Ref # 6



Steel 3 Hole Mounting Bracket
Part # 13371

Ref # 5



Rear Pull Bar Assembly
Part # 12311

Ref # 14





US Tarp® Pull Style Spring Return Tarp System

Tarp System Cost With..

13391	97" Wind Deflector
15478	102" Smooth Front Wind Deflector
15479	Open Top Housing, up to 102" Wide
165	Adjustable Steel Housing, 81" to 96" Wide
13430	92" Wide Aluminum Housing
13431	98" Wide Aluminum Housing
13432	104" Wide Aluminum Housing
-HD	Add to any kit to cover up to 32'

Base System

without wind deflector or housing
Part # 13429

- Will cover up to 26' with standard tarps and 20' with flaps
- Aluminum extruded 3" roller bar. Retro-fit kits available to replace competitors roller bars
- Comes assembled, tarp mounted, and spring pre-loaded to save hours in installation.

OPTIONS

Rear Pull Bar Assembly
Part # 12311



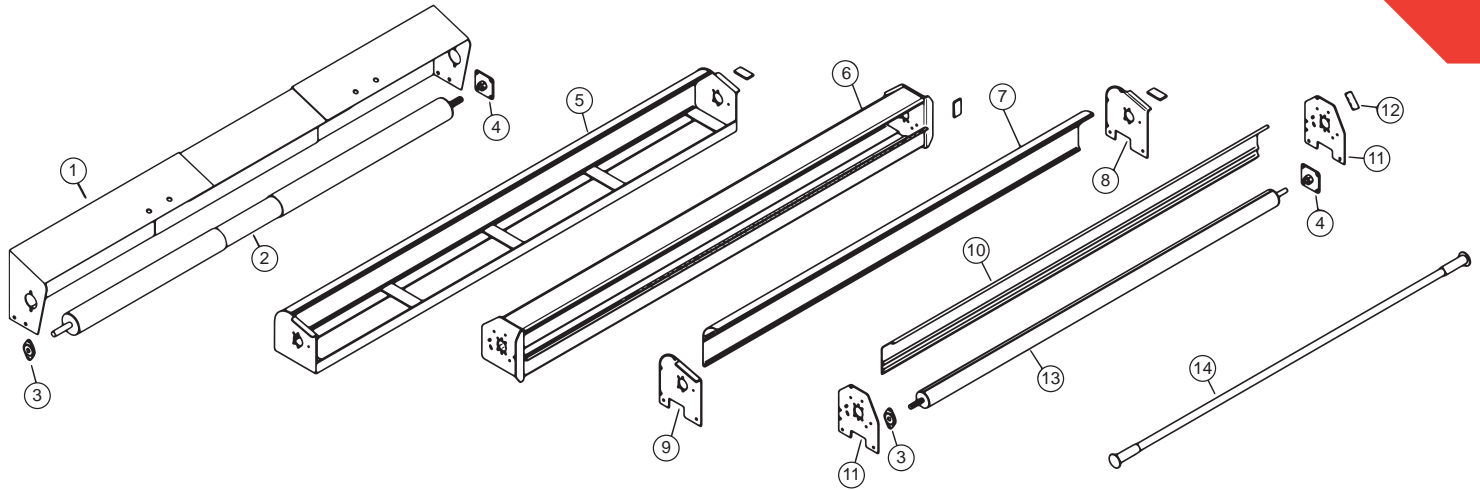
Adjustable Steel Housing
Part # 15203



Optional Polished Aluminum Wind Deflector
Part # 11380



see next page for other size



US Tarp® Pull Style Spring Return Parts

Reference Number	Quantity Required	Part Number	Description
1	1	15203	Adjustable Width Steel Housing
2	1	99	Adjustable Width Spring Return Roller Bar Assembly
3	1	11139	3/4" Axle Bearing
4	1	14010	Pull Style Adaptor Plate
5	1	14824	Open Top Aluminum Housing, up to 102" width
6	1	11211	Aluminum Tarp Spool Housing, 92"
6	1	11210	Aluminum Tarp Spool Housing, 98"
6	1	11286	Aluminum Tarp Spool Housing, 104"
7	1	14870	Smooth Front Aluminum Wind Deflecto , up to 102" width
8	1	14983R	Smooth Front Wind Deflector Mounting Bracket, Right - Passengers Sid
9	1	14983L	Smooth Front Wind Deflector Mounting Bracket, Left - Drivers Sid
10	1	11208	Polished Aluminum Wind Deflecto , 103" width
10	1	11380	Polished Aluminum Wind Deflecto , 97" width
11	2	11295	Aluminum Tarp Spool Mounting Bracket with Bumper
12	2	11143	Bumper for Tarp Spool Mounting Bracket
13	1	13402	Spring Return Roller Bar Assembly
14	1	14581	Aluminum Rear Pull Bar Assembly, No Rope Kit or Tailgate Latches
14	1	12311	Aluminum Rear Pull Bar Assembly with Rope Kit and Tailgate Latches
Not Shown	4	12282	Aluminum J Hook
Not Shown	1	14988-KIT	Rope Kit with Bungee and Rings

REPLACEMENT PARTS

Adj. Width Spring Return Roller Assembly
Part # 99

Ref # 2



Spring Return Roller Assembly, fixed width
Part # 13402

Ref # 13



Pull Style Adapter Plate
Part # 14010

Ref # 4



US Tarp® Waste Tarp Systems



- Heavy Duty Steel Powder-Coated Gantry Units.
- Hydraulic Gantries are powered by an electric over hydraulic power pack.
- The Electric Arm Kits below can be added to any gantry unit.
- The low-cost solution to tarping your waste truck.
- All waste system gantries can cover up to 40 yd containers.
- Tarps for Waste Systems can be found on pages 53 & 54. If ordering with an arm kit use the Standard tarp, if not order a Pull Style Tarp.

Stationary Gantry Unit

- Standard Height 77" Tall Gantry Base
- Spring Return Tarp Axle
- Open Top Aluminum Housing

Base System

Part # 15101

2-Stage Hydraulic Cylinder Telescopic Gantry

- 64" Tall Gantry Base, Extends 88" Vertical
- Spring Return Tarp Axle
- Premium Aluminum Open Top Housing

Base System

Part # 14126

OPTIONS

Gantry Mount Light Kit
Part # 15514



Upgrade to Wireless Remote



Add -WL Suffix to Part #

Electric 4 Spring Steel Arms,
Frame Mounted, Up to 24'



Add -ST4 Suffix to Part

Premium US Tarp® Waste Tarp Systems



Premium Single Stage Hydraulic Gantry Systems

- Heavy duty steel powder-coated gantry.
- Self contained electric over hydraulic pump.
- Heavy duty polished aluminum housing.
- Covers up to 40 yd containers.
- Tarps for Waste Systems can be found on pages 53 & 54. If ordering with an arm kit use the Standard tarp, if not order a Pull Style Tarp.

1-Stage Hydraulic Cylinder Gantry Unit

- Extends 36" vertical.
- Spring Return Tarp Axle.
- Open Top Aluminum Housing.
- 48" Tall Gantry Base.

Base System

Part # 15100

Complete 1 Stage Gantry with Hydraulic Motor, and Premium Aluminum Arms

- 1 Stage Hydraulic Cylinder Gantry Unit
- 58" Tall Gantry Base, extends 36" Vertically
- PTO Hydraulic Operation, with Wireless Remote, and Manual Levers
- Hydraulic Gear Motor
- Premium Aluminum Arm Kit with Frame Mounts
- Premium Aluminum Open Top Housing with Work Light Kit

Base System

Part # 15100-P

Electric 4 Spring Aluminum Arms, Frame Mounted, Up to 24'



Add -AL4 Suffix to Part #

Electric 7 Spring Steel Arms, Fender Mounted Up to 26'

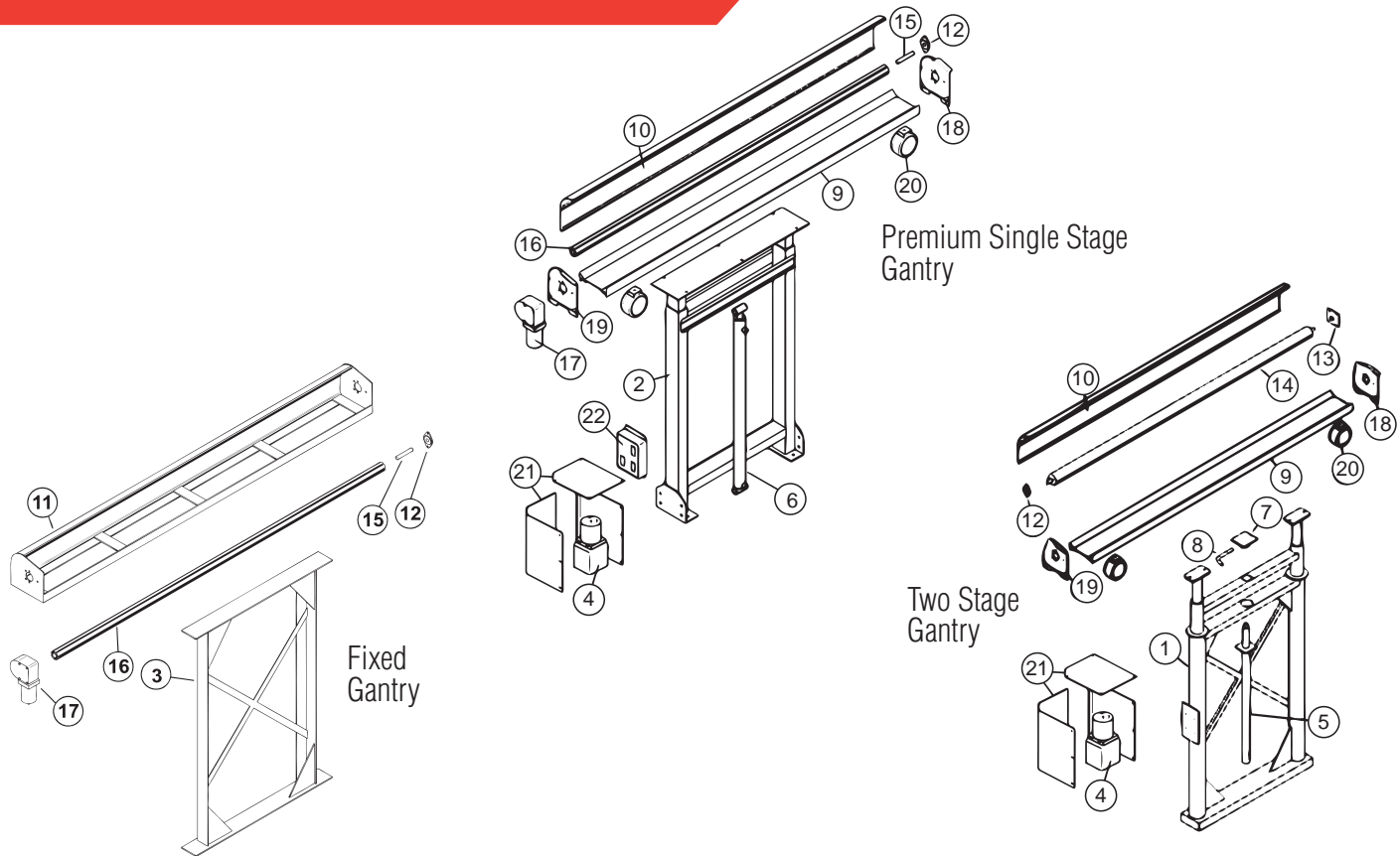


Add -ST7 Suffix to Part #

Electric 7 Spring Aluminum Arms, Fender Mounted Up to 26'

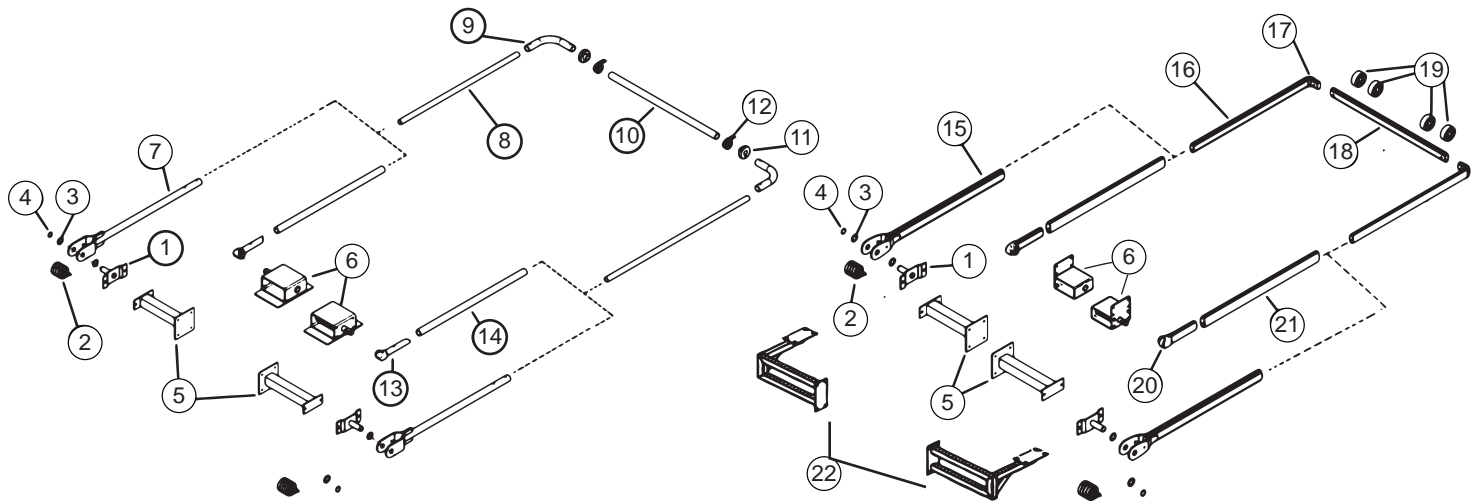


Add -AL7 Suffix to Part #



US Tarp ® Waste System Gantry Parts

Reference Number	Quantity Required	Part Number	Description
1	1	112671	Two Stage Gantry Frame
2	1	15080	Single Stage Gantry Frame, 48" Resting Height
2	1	15080-58	Single Stage Gantry Frame, 58" Resting Height
3	1	14527	Stationary Gantry Frame
4	1	13931	12 V Hydraulic Power Pack Asm
5	1	13901	Two Stage Hydraulic Cylinder
6	1	14838	Single Stage Hydraulic Cylinder
7	1	15081	Two Stage Cylinder Mount
8	1	15082	Cylinder Pin
9	1	15367	Aluminum Housing Base
10	1	14870	Smooth Front Wind Deflecto , up to 102" Width
11	1	14824	Open Top Aluminum Housing, up to 102" Width (Ref #'s 9, 10, 18, & 19)
12	1	11139	3/4" Axle Bearing
13	1	14151	Stationary Mounting Plate for Spring Return
14	1	14529	Pullstyle Roller Assembly
Not Shown	2	13932	Hydraulic Hose Assembly
15	1	11201	Spool Shaft
16	1	11200	2" Heavy Duty Tarp Axle, 101-5/8" width
17	1	14370	Bulletproof Hydraulic Tarp Motor, 60:1 Ratio
17	1	13957	Bullet Proof Tarp Motor, 90:1 Ratio
18	1	15512R	Heavy Duty Housing Endplate, Right - Passengers Side
19	1	15512L	Heavy Duty Housing Endplate, Left - Drivers Side
20	2	15514	Work Light Assembly
21	1	15515	Aluminum Single Piece Housing for Hydraulic Power Pack Assembly
22	1	15516	Wireless Control Box



Frame Mount Parts

Reference Number	Quantity Required	Part Number	Description
1	2	11132	4-Spring Pivot Pin
2	8	11121	Spiral Torsion Spring
3	4	11141	Stainless Steel Bushing for Pivot Pin
4	2	11142	Retaining Ring for Pivot Pin
5	2	15084	Spring Mount Offset Assembly

Fender Mount Parts

Reference Number	Quantity Required	Part Number	Description
6	1	15085	7-Spring Fender Mount Spring Assembly, Right - Passengers Side
6	1	15086	7-Spring Fender Mount Spring Assembly, Left - Drivers Side
22	1	15540L	Frame Mount Extension and Adapter, Left - Drivers Side
22	1	15540R	Frame Mount Extension and Adapter, Right - Passengers Side

Steel Arm Parts

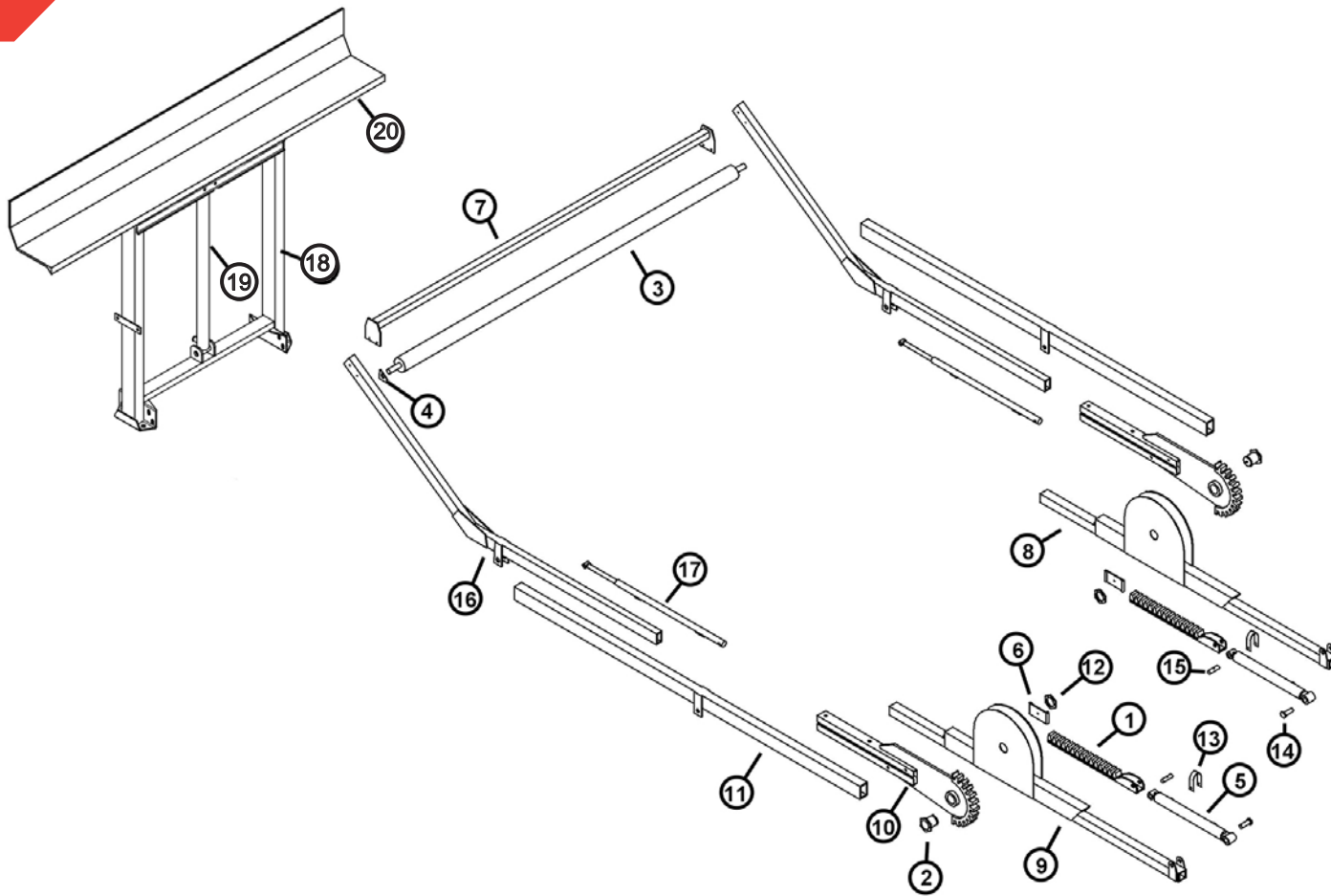
Reference Number	Quantity Required	Part Number	Description
7	2	11266	4-Spring Lower Steel Arm, 36" Length
8	2	11268	Steel Upper Side Arm, 120" Long *
9	2	11267	Steel 90 Degree Corner
10	1	11269	Steel Cross Tube, 96" Long
11	2	13941	Rubber Tarp Centering Flange
12	2	13913	Tarp Collar Clamp
13	2	11358	Underbody Steel Lower Arm Casting
14	2	13819	Steel Lower Side Arm, 84" Long

Aluminum Arm Parts

Reference Number	Quantity Required	Part Number	Description
15	2	11243	4-Spring Lower Aluminum Arm, 60" Length
16	2	11236	Aluminum Upper Side Arm with Corner, 98" Long
17	2	11235	Aluminum 90 Degree Corner
18	1	11232	Aluminum Cross Tube, 105-1/2" Long
19	4	11231	Plastic Tarp Centering Flange
20	2	11226	Underbody Aluminum Arm Casting
21	2	11228	Underbody Aluminum Lower Arm, 84" Length

*Indicates oversized items, and over length shipping rates apply.

US Tarp® Rack & Pinion System and Parts



For Complete System Pricing, please contact your sales representative.
 *Call for Availability.

TARPS

8' x 28' Multi Color Mesh
 (Replaces HR4616)
 Part # 96-28-MC



8' x 28' HD Black Mesh
 (Replaces HR4616),
 Part # 96-28-HDBM



8' x 28' Monster Mesh
 (Replaces HR4616)
 Part # 96-28-MM



8' x 28' Almighty Mesh
 (Replaces HR4616)
 Part # 96-28-AM



Rack & Pinion Replacement Parts

Reference Number	Qty Required	Part Number	Description
1	2	A3868B	Rack Gear Assembly
2	2	A3881	Arm Pivot Pin w/Grease Fitting
3	1	H7002C	Spring Roller Assembly
4	1	HR4788	Pawl for Roller Assembly
5	2	HR4719	16" Stroke Cylinder
6	2	HR4728	Swivel Hose Clamp Assembly
7	1	HR4753	Stablizer Bar
8	1	A4006A-1	Mounting Bracket Assembly, Right - Passengers Side
9	1	A4005A-1	Mounting Bracket Assembly, Left - Drivers Side
10	2	HR4760	Base Arm Gear Assembly
11	2	HR4750	Base Arm, 93-1/4"
12	2	HR4785	Castle Nut for Pivot Pin
13	2	HR4731	Cylinder Hold Down Strap
14	2	A3883	Cylinder Pin - Long
15	2	D18836	Cylinder Pin
16	2	HR4751	Arm Extension
17	2	HR4752	36" Stroke Telescopic Arm Cylinder
18	1	HR4511	Telescopic Gantry Leg Assembly
18	1	HR4610	Fixed Leg Gantry Tube Set
19	1	HR4520	36" Stroke Gantry Cylinder
20	1	HR4505-2	Roll Base for Telescopic Gantry Assembly
20	1	HR4614	Roll Rest for Fixed Leg Gantry Assembly
Not Shown	1	H7040-1	Flow Divider/Combiner
Not Shown	1	HR2055-1	Flow Diverter

9'6" x 28' Multi Color Mesh w/
shock cord and 6' Vinyl Rein-
forcements (Replaces HR4759)
Part # 114-28-MC-R



9'6" x 28' HD Black Mesh w/shock
cord and 6' Vinyl Reinforcements
(Replaces HR4759)
Part # 114-28-HDBM-R



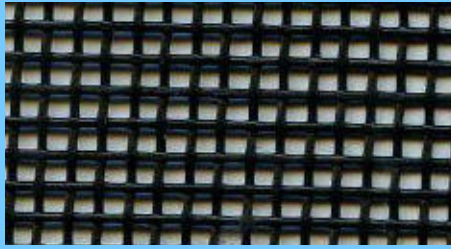
9'6" x 28' Monster Mesh w/shock
cord and 6' Vinyl Reinforcements
(Replaces HR4759)
Part # 114-28-MM-R



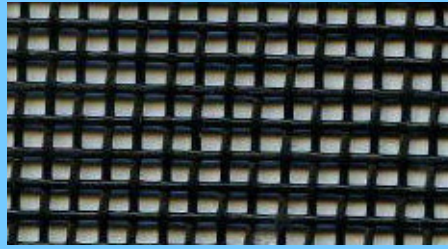
9'6" x 28' Almighty Mesh w/
shock cord and 6' Vinyl Rein-
forcements (Replaces HR4616)
Part # 114-28-AM-R



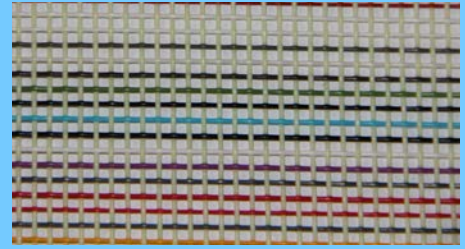
Heavy Duty Mesh Tarps



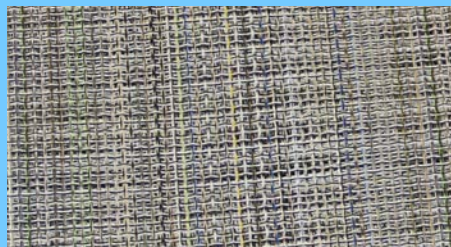
**Heavy Duty
Black Mesh (BM)**
96" - 230" Wide



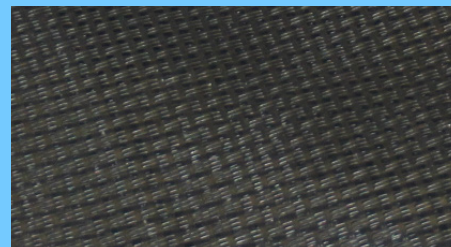
**Economy Black
Mesh (BMEC)**
96" - 230" Wide



**Multi-Color
Mesh (MC)**
96" - 230" Wide

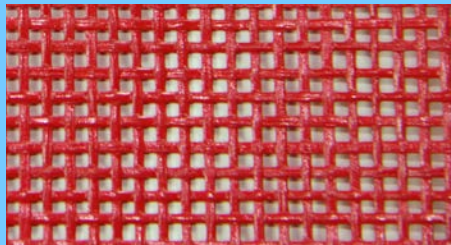


Monster Mesh (MM)
96" - 230" Wide



Armor Mesh (AM)
96" - 230" Wide

Specialty Mesh Tarps



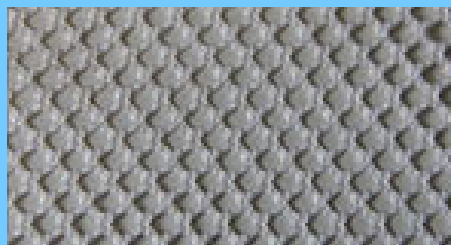
**Blue Mesh (BLM)
Green Mesh (GM)
Red Mesh (RM)**
96" - 186" Wide



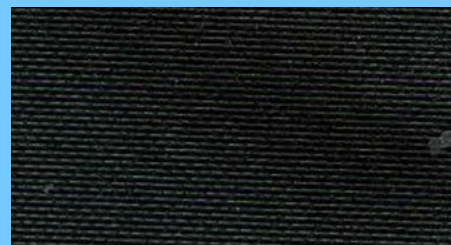
**Red, White
and Blue
Liberty Mesh (RWB)**
96" - 186" Wide



**Leno Weave
Mesh (LE)**
96" - 140" Wide



White Polyester Mesh (WP)
112" - 222" Wide

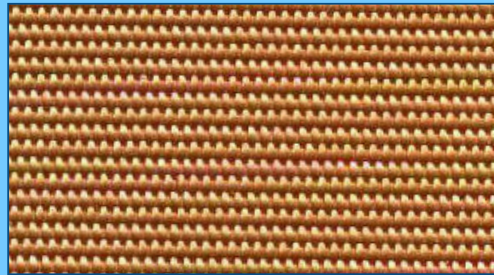


**Coated
Air Bag (AB)**
97" - 130" Wide

Solid Asphalt Tarps



18oz Black Vinyl (BV)
120' - 244" Wide



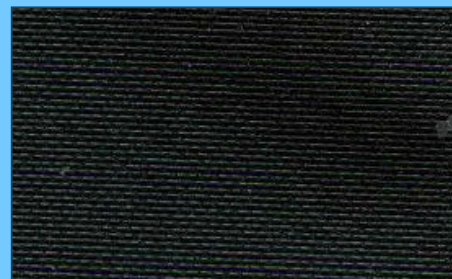
RFL Coated Canvas (RFL)
85" - 130" Wide



Asphalt Lumite (LU)
94" - 144" Wide



14oz Black Vinyl (14BV)
120" - 186" Wide



Black Coated Air Bag (AB)
97" - 130" Wide

Options

- 2 Side Flaps Add...
- 2 Side Flaps / 1 Rear Flap Add...
- Spline Add...
- Pull Style Tarp Add...
- D Rings, Each Add...

Universal Tarp Repair Kit, with 16oz
Bottle with Brush Top, & 12" x 18"
18oz Black Vinyl & Mesh Patch



Part # 15452

4" Wide Black Tarp Tape



75' Roll, Part # 15984
Per Foot, Part # 15983

Tarp Part Numbering System

All prices are for tarps 96" or less. Please call for wider sizes.

Example



Tarp Width in Inches

- 72" - 6'
- 78" - 6'6"
- 84" - 7'
- 90" - 7'6"
- 96" - 8'

Custom widths use width inches.

Tarp Length

- 10' 26'
- 12' 28'
- 14' 30'
- 16' 32'
- 18' 34'
- 20' 36'
- 22' 38'
- 24'

Material

- BM - Standard Black Mesh
- HDBM - Heavy Duty Black Mesh
- MC - Multi-Color Mesh
- MM - Monster Mesh
- AM - Armor Mesh
- RFL - RFL Coated Canvas
- LU - Asphalt Lumite
- 14BV - 14oz Black Vinyl
- BV - 18oz Black Vinyl
- AB - Black Coated Air Bag
- RM - Red Mesh, BLM - Blue Mesh, GM - Green Mesh
- RWB - Liberty Mesh
- LE - Leno Weave Mesh
- WP - Polyester Mesh

Flaps

- Blank - No Flaps
- 2F - 2 Flaps
- 3F - 3 Flaps

Tarp Style

- S- Spline In Tarp Front
- P - Pull Style
- N - No Pocket
- T - Throw Tarp
- C - Custom

Leave Box Blank for Standard Tarps

Specialty System Tarps:

Cable System Tarps, See Page:	34
Agriculture System Tarps, See Page:	38
Side Dump System Tarps, See Page:	41
Rack & Pinion System Tarps, See Pages:	51-52

THE US TARP® TEAM



Jason Crum
Sales & Marketing Manager
Outside Sales
Jason@USTarp.com



Ashley Hanko
Outside Sales
Ashley@USTarp.com



Dan Onofrietti
Outside Sales
Dan@USTarp.com



Dianne Pecharich
Inside Sales
Dianne@USTarp.com



Amy "Lauren" Williams
Inside Sales
Lauren@USTarp.com



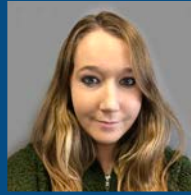
Haley Woodhams
Inside Sales
Haley@USTarp.com



Jo Sisson
Inside Sales
JoSisson@USTarp.com



Sara Parsons
Inside Sales
Sara@USTarp.com



Keirstin Bodfis
Inside Sales
Keirstin@USTarp.com



Melissa Garcia
Purchasing and Accounting
Melissa@USTarp.com



Amie Llerena
H.R. & Accounting
AmieL@USTarp.com



Marti Kupres
R&D and Q.C. Engineer
Marti@USTarp.com



Jeff Morris
CAD Engineer
Jeff@USTarp.com



Luis Roa
Plant Manager
Luis@USTarp.com



Bella Gallegos
Production Scheduler
Bella@USTarp.com



Jenny Cochran
Shipping
Jenny@USTarp.com

SHIPPING INFORMATION

Ground Shipping:

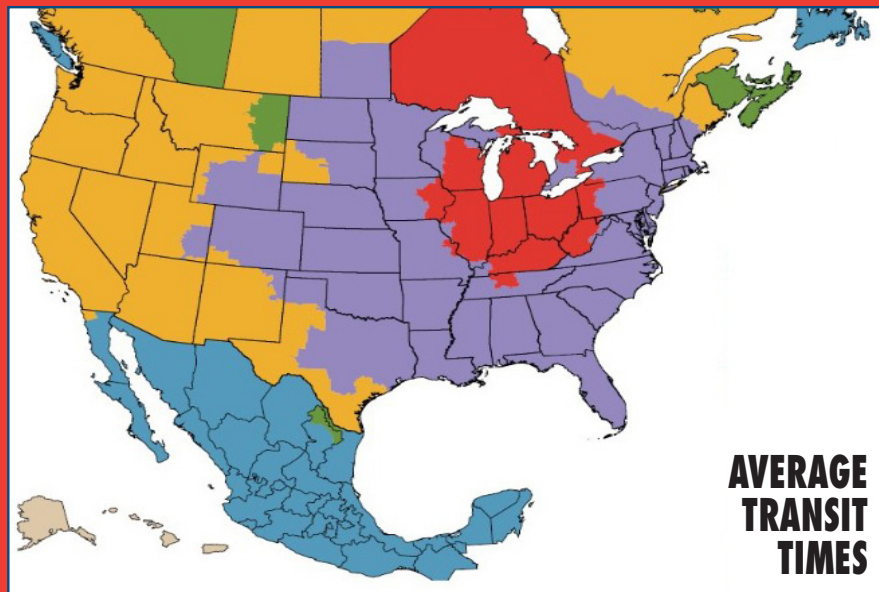
All shipments less than 50 lbs and less than 108" long

- UPS
- Fed Ex
- USPS

Freight:

For any shipment exceeding 50lbs and/or 108" long

- Fed Ex Freight
- Old Dominion
- Dayton
- USF Holland
- R & L
- Estes
- YRC
- Other carriers available



**AVERAGE
TRANSIT
TIMES**



*Freight pricing, lead times, and availability are subject to freight carrier requirements and can change at any time.

US Tarp®
PO Box 935
South Haven, MI 49090

800-249-0297
Fax: 269-639-3015
Email: Sales@USTarp.com

ustarp.com

Retail Pricing Catalog |

